

ST. S.P.A.

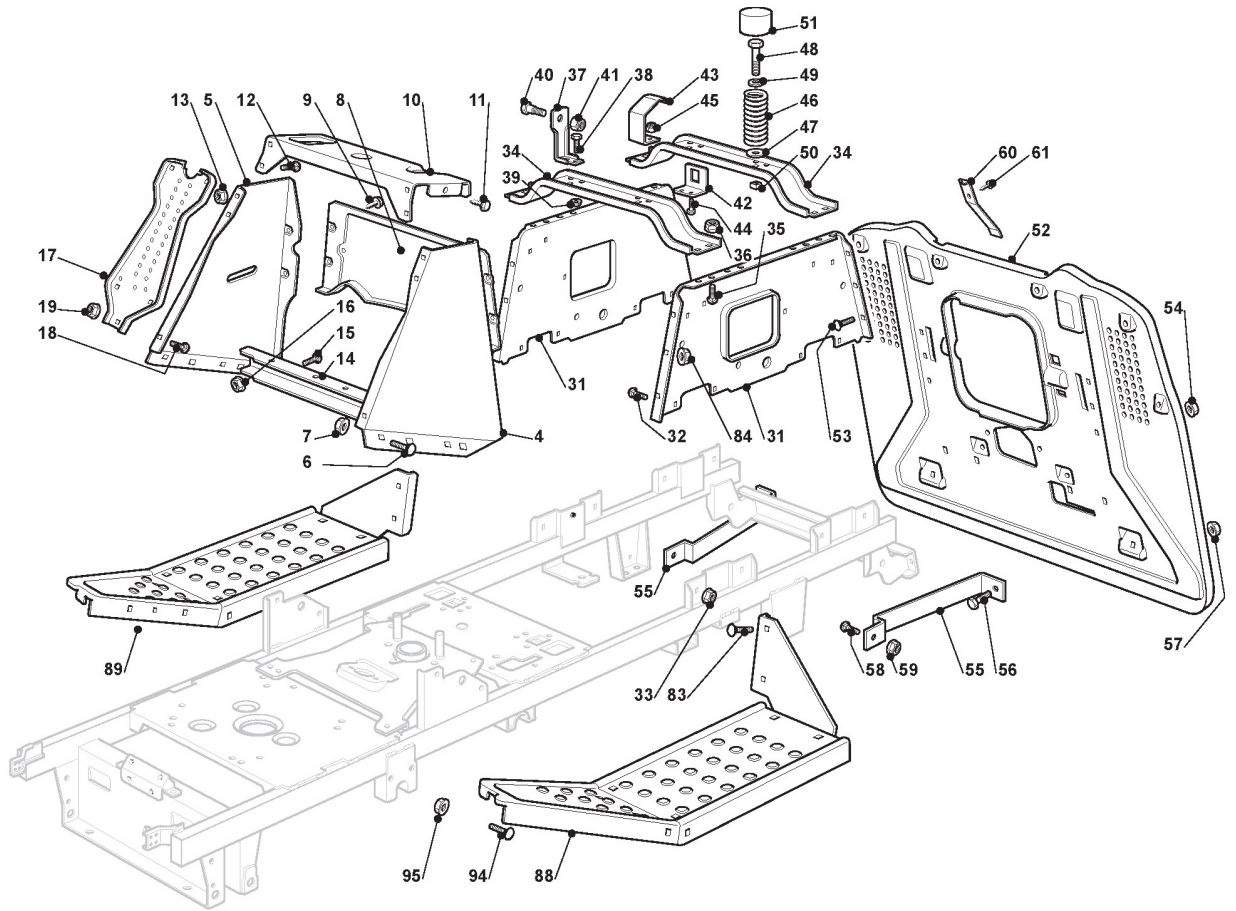
HTG 90 RB (2012)

2T0330224/BA

Spare parts list **Reservdelar** **Repuestos** **Ersatzteile** **Pièces détachées** **Reserve onderdelen** **Catalogo ricambi**

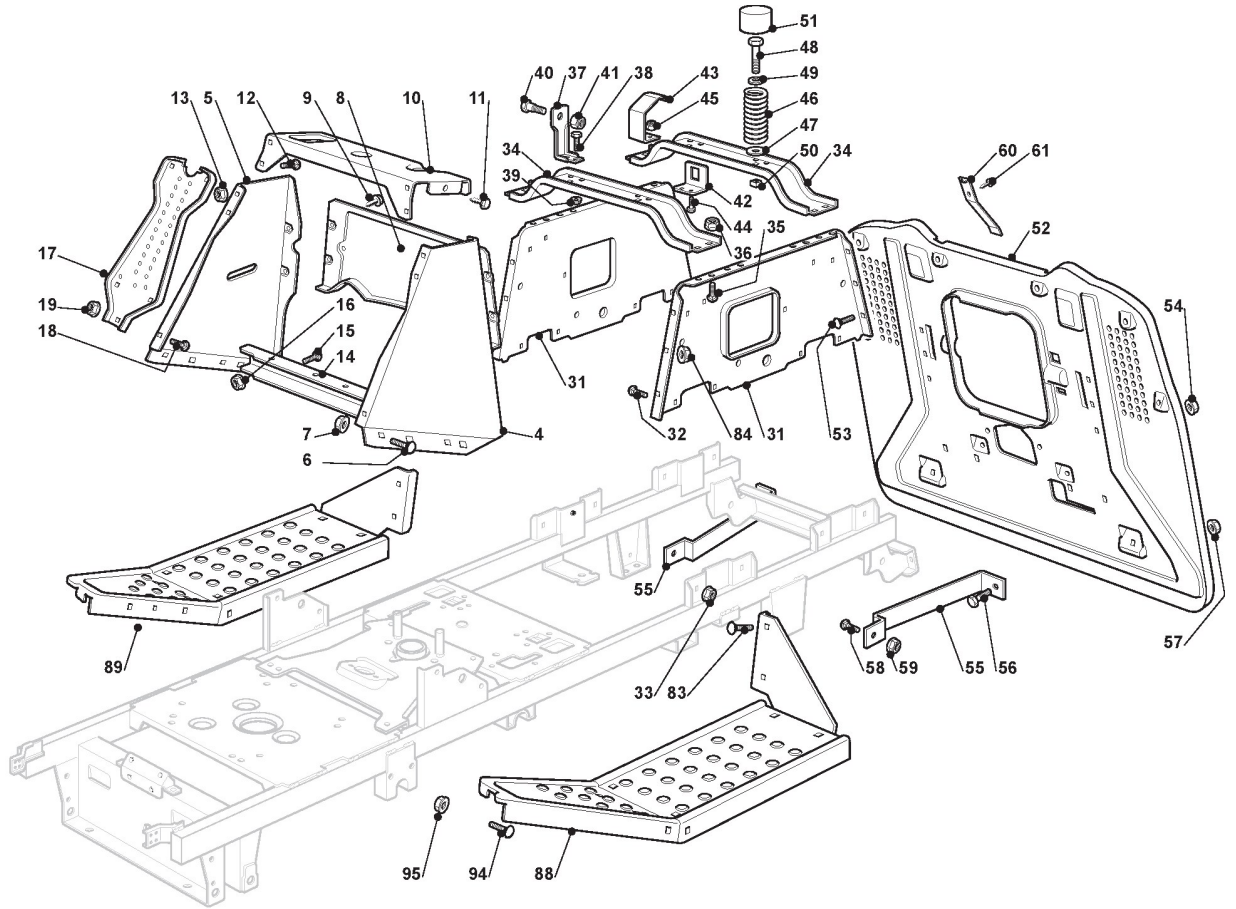
- Use ST. S.p.A. Genuine Spare Parts specified in the parts list for repair and/or replacement.
- The contents described in the parts list may change due to improvement.
- The drawings of the spare parts are only indicative And might Not represent the part in question exactly.
- The indications "right" - "left" - "front" - "rear" refer to the position of the operator when using the machine.
- When placing orders of parts for repair And/Or replacement, make sure that the illustrated parts list Is the one applying to the machine's year of manufacture, as shown on the identification plate attached to the machine.

All rights reserved. No part Of this material may be reproduced Or transmitted, in any form Or by any means, electronic Or mechanical, including photocopying, recording Or by any information storage And retrieval system, without permission in writing from ST. S.p.A.



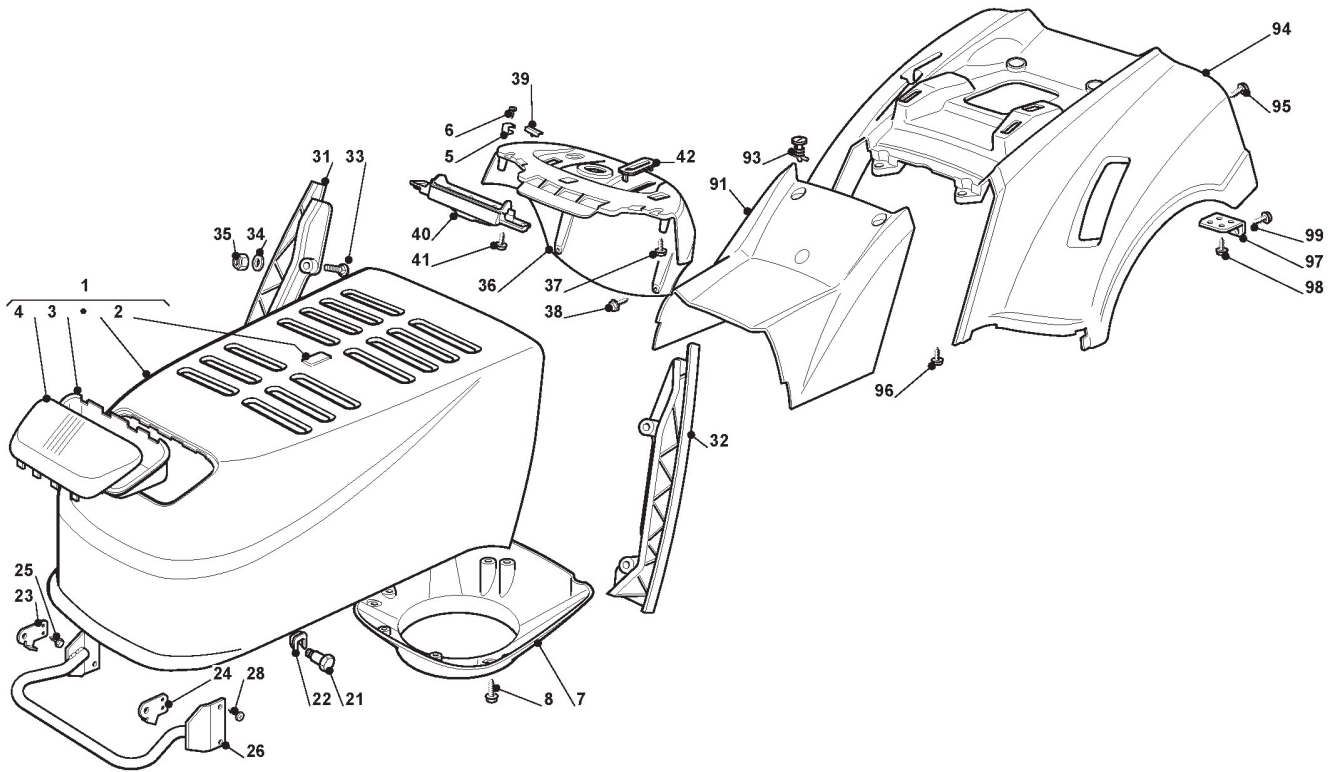
Chassis Low End

Ref.nr.	Antal	Komponentkode	Beskrivelse	Noter	From	Op til
4	1	325785243/1	Left Dashboard Support			
5	1	325785245/0	Right Dashboard Support			
6	4	112818690/0	Screw			
7	4	112293201/0	Nut			
8	1	382785151/1	Rear Dashboard Support			To
8	1	382785151/2	Rear Dashboard Support		From	01-September-2013
9	4	112735110/0	Screw			
10	1	325785255/0	Central Dashboard Support			
11	2	112735110/0	Screw			
12	4	112815200/0	Screw			
13	4	112292102/0	Nut			
14	1	325785241/0	Support			
15	2	112815200/0	Screw			
16	2	112292102/0	Nut			
17	2	382785153/1	Front Dashboard Support			
18	2	112815200/0	Screw			
19	2	112292102/0	Nut			
31	2	325785249/0	Seat Support			
32	8	112815200/0	Screw			
33	8	112292102/0	Nut			
34	2	325785257/1	Seat Support			
35	8	112818690/0	Screw			
36	8	112293201/0	Nut			
37	2	325755039/0	Bracket			
38	4	112792611/0	Screw			
39	4	112293201/0	Nut			
40	2	122524970/2	Fulcrum Pin			
41	2	112155010/0	Nut			
42	1	325755043/0	Bracket			
43	1	325430253/0	Spring			
44	2	112789000/0	Screw			
45	2	112154330/0	Nut			
46	2	125430257/1	Spring			
47	2	112523070/0	Washer			
48	2	112760515/0	Screw			
49	2	122671653/0	Washer			
50	2	112360425/0	Nut			
51	2	325122000/2	Cap			
52	1	382547041/1	Plate			
53	6	112792611/0	Screw			
54	6	112293201/0	Nut			
55	2	325650119/0	Plate Stiffening			
56	2	112792611/0	Screw			
57	2	112293201/0	Nut			
58	2	112792611/0	Screw		From	
58	2	112818690/0	Screw		01-September-2013	To
59	2	112293201/0	Nut			
60	1	125430276/0	Spring		From	
					01-September	



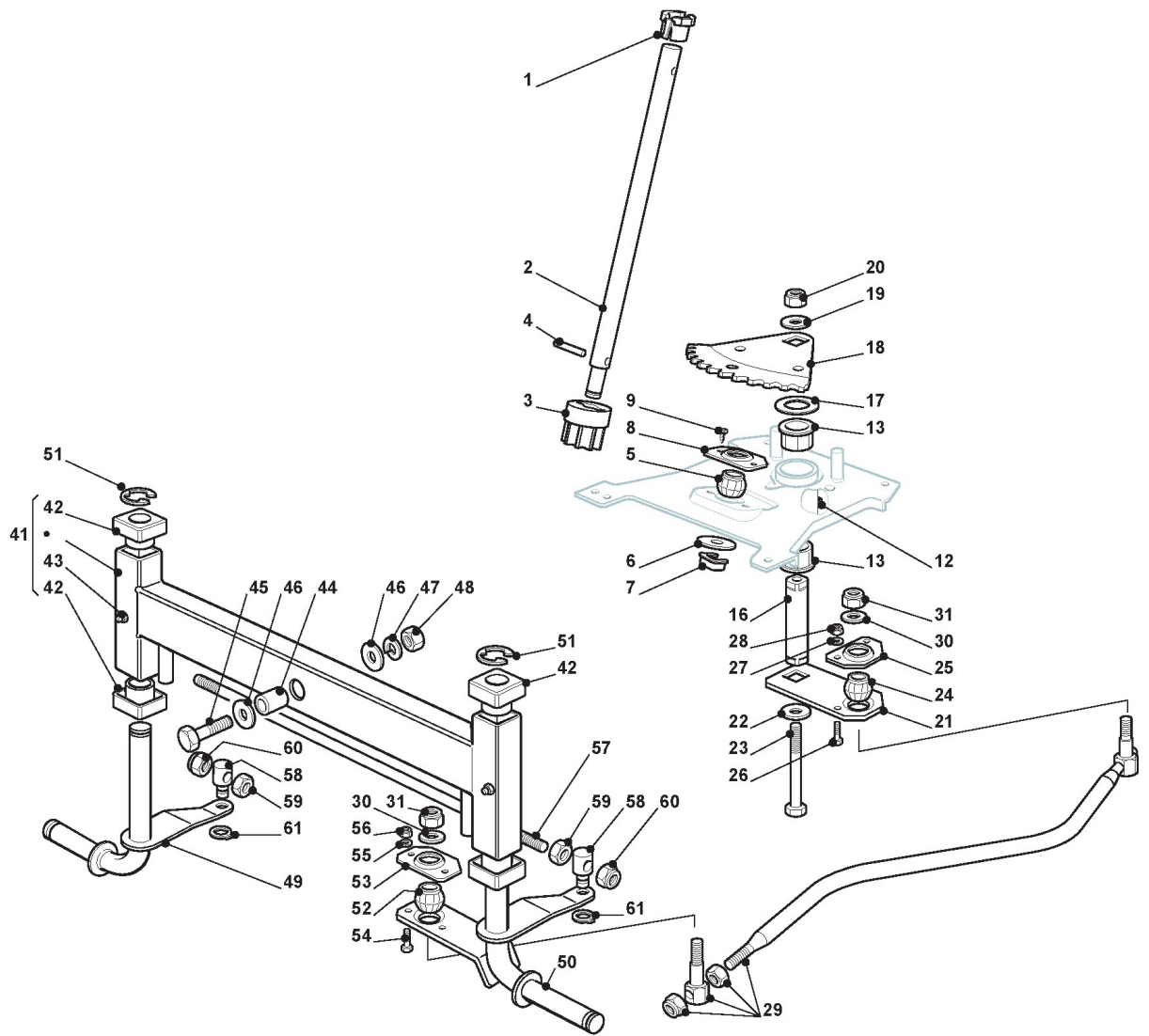
Chassis Low End

Ref.nr.	Antal	Komponentkode	Beskrivelse	Noter	From	Op til
60	1	127430554/0	Spring			To 01-Septem ber-2012
61	1	112735110/0	Screw			
83	4	112792611/0	Screw			
84	4	112293201/0	Nut			
88	1	382510079/0	Left Footboard Support			
89	1	382510077/0	Right Footboard Support			
94	4	112815200/0	Screw			
95	4	112292102/0	Nut			



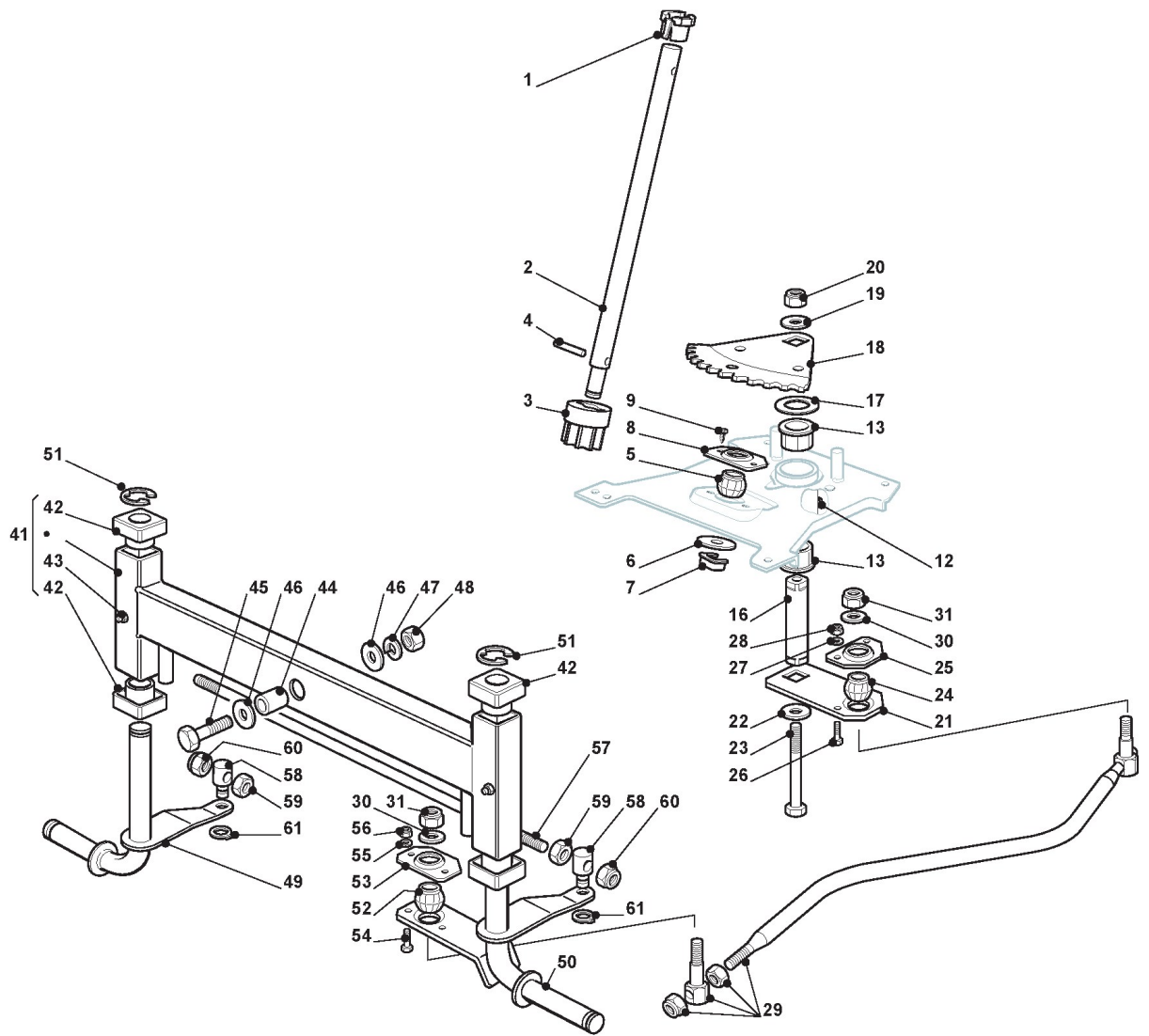
Body

Ref.nr.	Antal	Komponentkode	Beskrivelse	Noter	From	Op til
1	1	382076952/0	Engine Hood Black			
2	1	325076897/0	Black Injection Plate			
3	1	125485001/0	Lights Parabola			
4	1	125410865/0	Grill			
5	2	125430215/0	Coupling Spring			To
5	2	125430215/1	Coupling Spring		From	31-August-2010
6	2	112728450/0	Screw			
7	1	325108028/0	Conveyor			
8	3	112728686/0	Screw			
21	2	125510039/0	Pin			
22	2	112436050/0	Plate			
23	1	325547089/0	Plate			To
23	1	325547089/1	Right Plate		From	
24	1	325547091/0	Plate		01-September-2010	To
24	1	325547091/1	Left Plate		From	
25	4	112731580/0	Screw		01-September-2010	
26	1	382869031/0	Muffler Protection			
28	4	112734995/0	Screw			
31	1	325599008/0	Dashboard, Right Profile			
32	1	325599009/0	Left Dashboard Support			
33	4	112815221/0	Screw			
34	4	112521330/0	Washer			
35	4	112154510/0	Nut			
36	1	325120189/0	Dashboard			
37	2	112728440/0	Screw			
38	2	112735402/0	Screw			
39	2	125260000/0	Grommet			
40	1	325600074/0	Card Protection			
41	2	112735402/0	Screw			
42	1	325547181/0	Plate			
91	1	325110393/0	Black Central Cover			
93	2	125580020/0	Belt Guide Peg			
94	1	325110392/0	Black Wheels Cover			
95	4	112735402/0	Screw			
96	2	112735402/0	Screw			
97	2	325755041/0	Bracket			
98	4	112728686/0	Screw			
99	2	112735110/0	Screw			



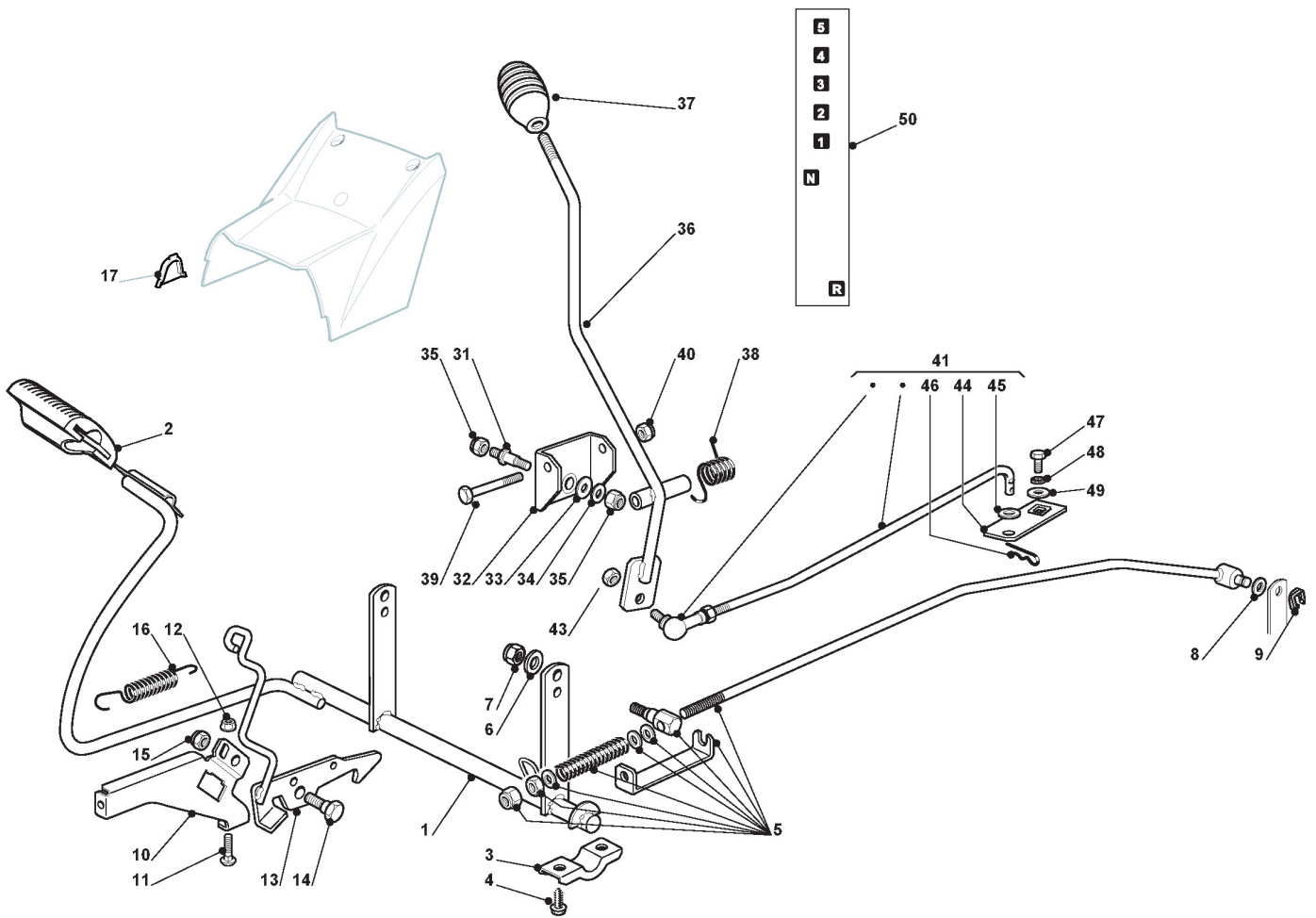
Steering 13"

Ref.nr.	Antal	Komponentkode	Beskrivelse	Noter	From	Op til
1	1	325038004/0	Bushing			
2	1	125520006/1	Steering Column			
3	1	127570050/0	Pinion			
4	1	112622650/0	Dowel pin			
5	1	325743000/0	Joint			
6	1	112521370/0	Washer			
7	1	112436030/0	Plate			
8	1	325785213/0	Teering Joint Support			To
8	1	325785213/1	Support		From	
9	2	112729601/0	Screw		01-September-2010	To
9	2	112729601/1	Screw		From	
12	1	112379511/0	Grease Dispenser		01-September-2003	
13	2	325040624/0	Bushing			
16	1	125510092/0	Pin			
17	1	125670019/0	Washer			
18	1	325735513/0	Steering Sector			
19	1	112523080/0	Washer			
20	1	112155020/0	Nut			
21	1	325318205/0	Lever			
22	1	112523080/0	Washer			
23	1	112794985/0	Screw			
24	1	325743000/0	Joint			
25	1	325785213/0	Teering Joint Support			To
25	1	325785213/1	Support		From	31-August-2010
26	2	112791213/0	Screw			To
26	2	112791213/1	Screw		From	31-August-2003
27	2	112521330/0	Washer			
28	2	112154510/0	Nut			
29	1	382000538/1	Steering Rod			
30	2	112523070/0	Washer			
31	2	112155010/0	Nut			
41	1	382034021/1	Equalizer With Bush And Lubricator			
42	4	325040622/0	Bushing			
43	2	112379511/0	Grease Dispenser			
44	1	125160016/0	Spacer			To
44	1	125160016/1	Spacer		From	31-August-2013
45	1	112692695/0	Screw			
46	2	112523100/0	Washer			
47	1	112587100/0	Grower			
48	1	112295300/0	Nut			
49	1	382230363/0	Right Stub Axle			
50	1	382230365/0	Left Stub Axle			
51	2	112001000/0	Benzing Ring			
52	1	325743000/0	Joint			
53	1	325785213/0	Teering Joint Support			To
53	1	325785213/1	Support		From	31-August-2010
54	2	112791213/0	Screw			To
54	2	112791213/1	Screw		From	31-August-2003



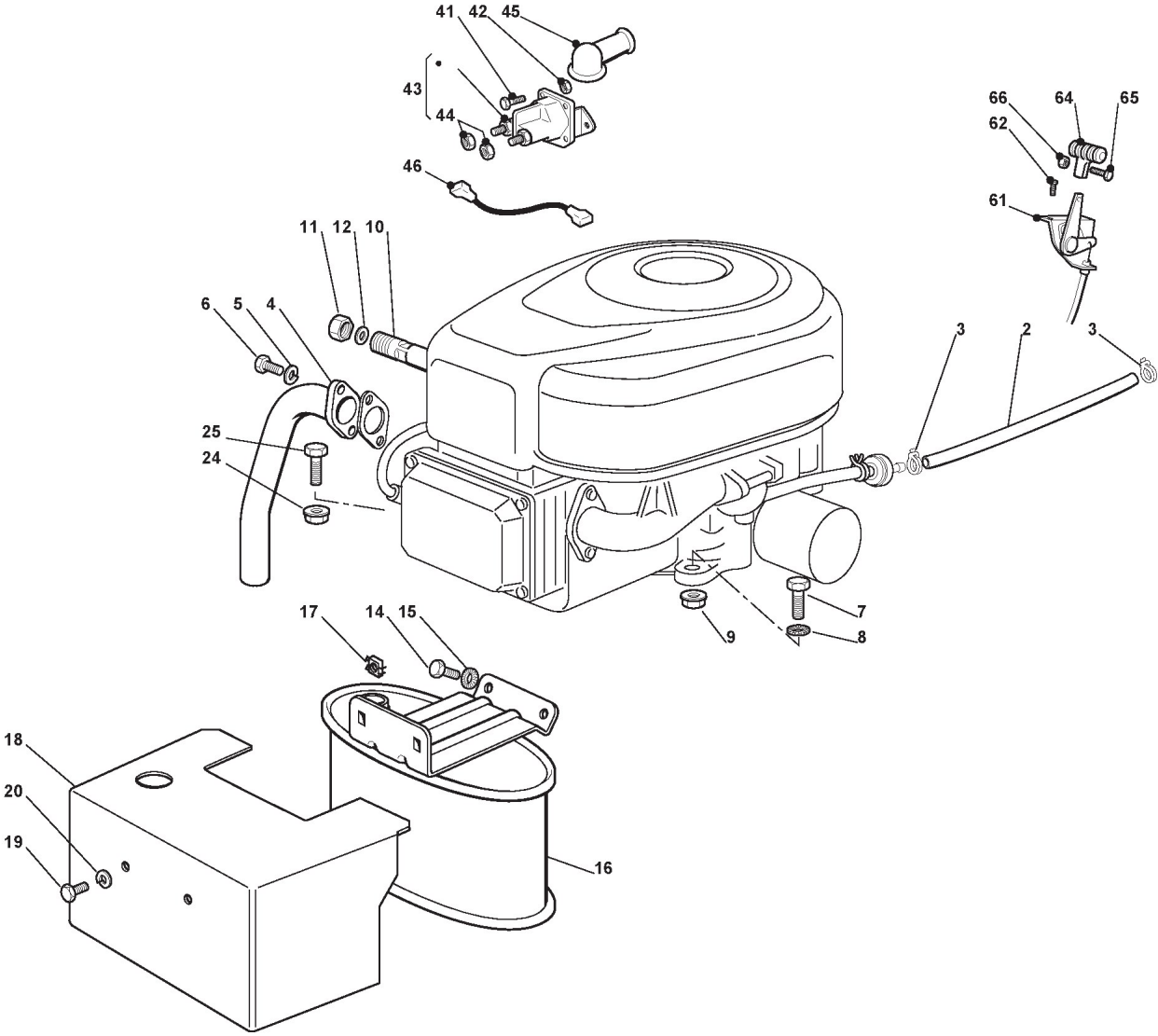
Steering 13"

Ref.nr.	Antal	Komponentkode	Beskrivelse	Noter	From	Op til
55	2	112521330/0	Washer			
56	2	112154510/0	Nut			
57	1	125840022/0	Tie Rod			
58	2	125510096/0	Pin			
59	2	112295200/0	Nut			
60	2	112156602/0	Nut			
61	2	112000956/0	Benzing Ring			



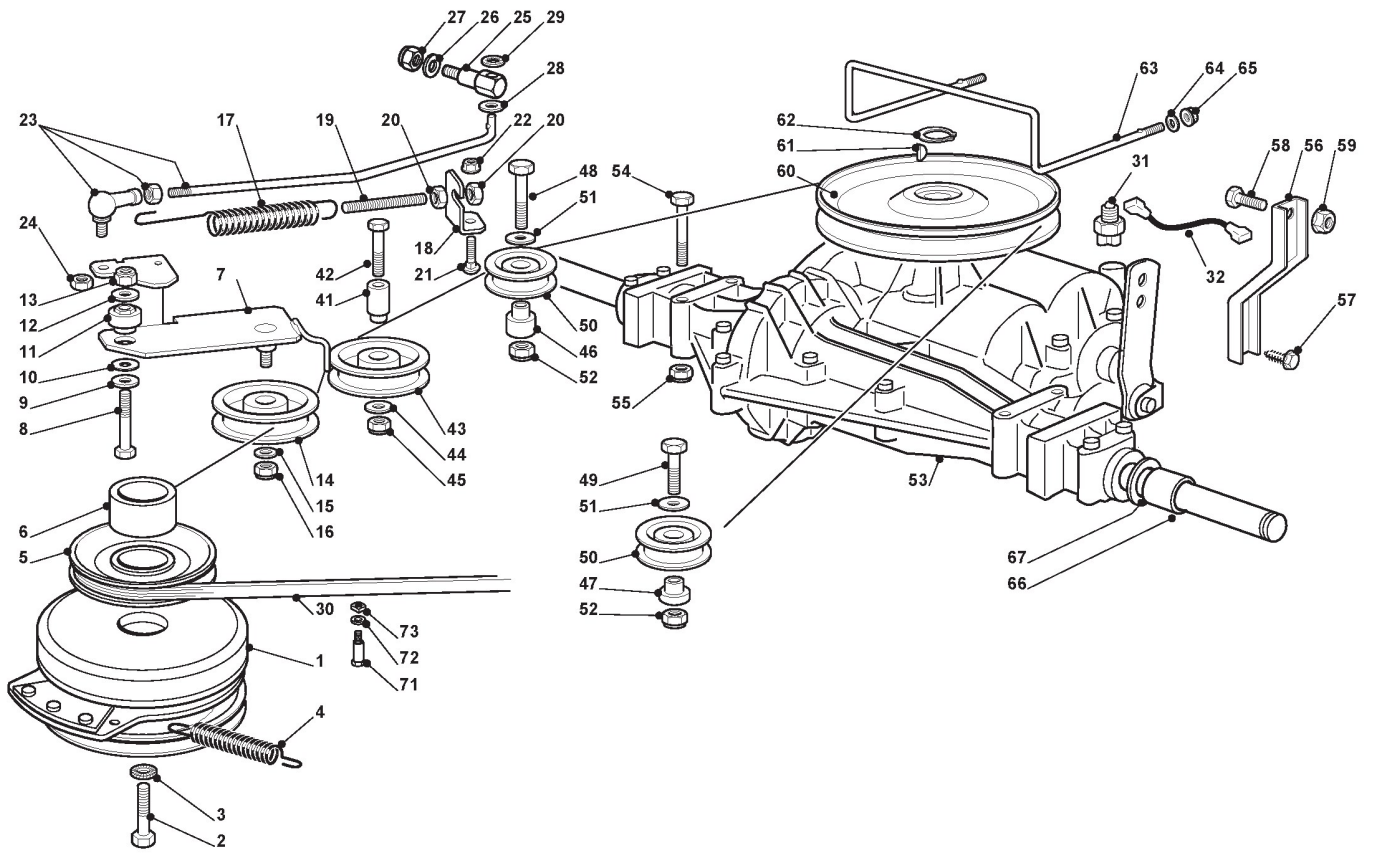
Brake And Gearbox Controls

Ref.nr.	Antal	Komponentkode	Beskrivelse	Noter	From	Op til
1	1	382500027/1	Pedal			
2	1	125110269/0	Clamp Cover			
3	2	327546015/1	Plate			
4	4	112729601/0	Screw			To
4	4	112729601/1	Screw		From 01-September-2003	
5	1	382000541/1	Rod			
6	1	112523040/0	Washer			
7	1	112154510/0	Nut			
8	1	112521350/0	Washer			
9	1	112436050/0	Plate			
10	1	325785261/0	Support			
11	2	112815200/0	Screw			
12	2	112292102/0	Nut			
13	1	382000531/0	Rod			
14	1	122524970/2	Fulcrum Pin			
15	1	112155000/0	Nut			
16	1	125430213/0	Spring			
17	1	325207172/0	Plate			
31	1	125510035/0	Pin			
32	1	382774247/0	Clamp			
33	1	322672152/0	Antifriction Washer			
34	1	112523060/0	Washer			
35	2	112155010/0	Nut			
36	1	382318215/0	Gearshift			
37	1	125394510/0	Knob			
38	1	125430258/0	Spring			
39	1	112692050/0	Screw			
40	1	112155000/0	Nut			
41	1	382000545/0	Rod			
43	1	112155000/0	Nut			
44	1	325318169/0	Lever			
45	1	112521340/0	Washer			
46	1	124487997/0	Cotter Pin			
47	1	112735520/0	Screw			
48	1	112540040/0	Washer			
49	1	322680009/0	Washer			
50	1	114361447/0	Label			



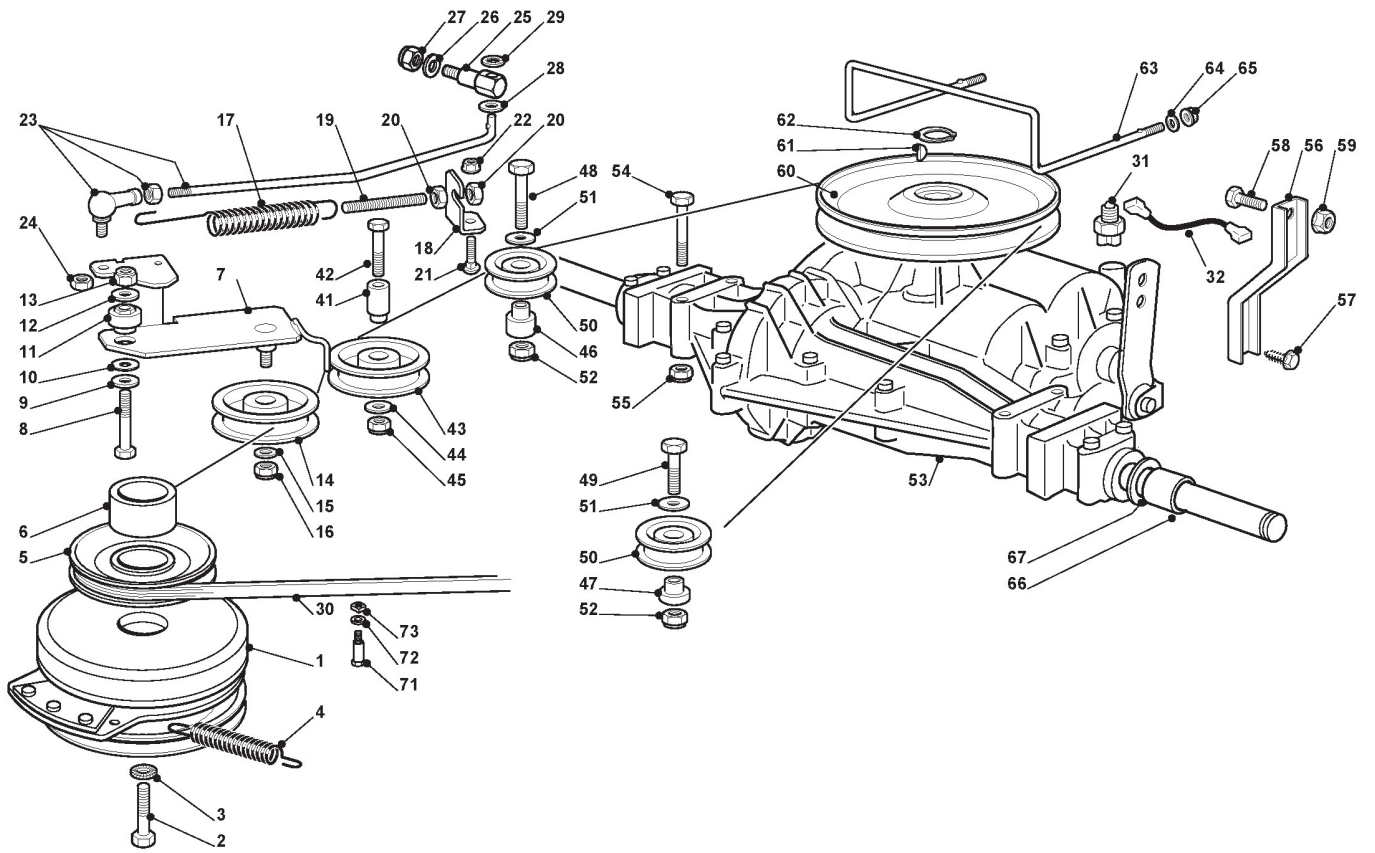
Engine - B&S 15,5-16,5-18,5 Hp

Ref.nr.	Antal	Komponentkode	Beskrivelse	Noter	From	Op til
2	1	325869057/0	Connecting Tube			
3	2	118375051/1	Fair Led			
4	1	118738206/0	Exhaust Discharge Tube			
5	2	112583500/0	Grower			
6	2	112735530/0	Screw			
7	1	112691115/0	Screw			
8	1	112540260/0	Washer			
9	1	112154210/0	Nut			
10	1	125598050/0	Oil Discharge Extension			
11	1	118737849/0	Plug			
12	1	118401001/0	Oil Seal			To 31-August- 2003
12	1	118401001/1	Oil Seal		From	
14	2	112793102/0	Screw			
15	2	112540260/0	Washer			
16	1	182750010/0	Muffler			
17	2	112360425/0	Nut			
18	1	382598009/1	Muffler Protection			To 31-August- 2003
18	1	382598009/2	Muffler Protection		From	
19	2	112792611/0	Screw			
20	2	112583500/0	Grower			
24	3	112154210/0	Nut			
25	3	112691100/0	Screw			
41	2	112791213/0	Screw			To 31-August- 2003
41	2	112791213/1	Screw		From	
42	2	112292102/0	Nut			
43	1	118736110/0	Starter Relay			
44	2	112360352/0	Nut			
45	1	118564864/1	Protection			
46	1	125065017/0	Cable			
61	1	182000200/1	Throttle Cable			
62	2	125943012/0	Screw			
64	1	125394501/0	Knob			
65	1	112726388/0	Screw			
66	1	112290800/0	Nut			



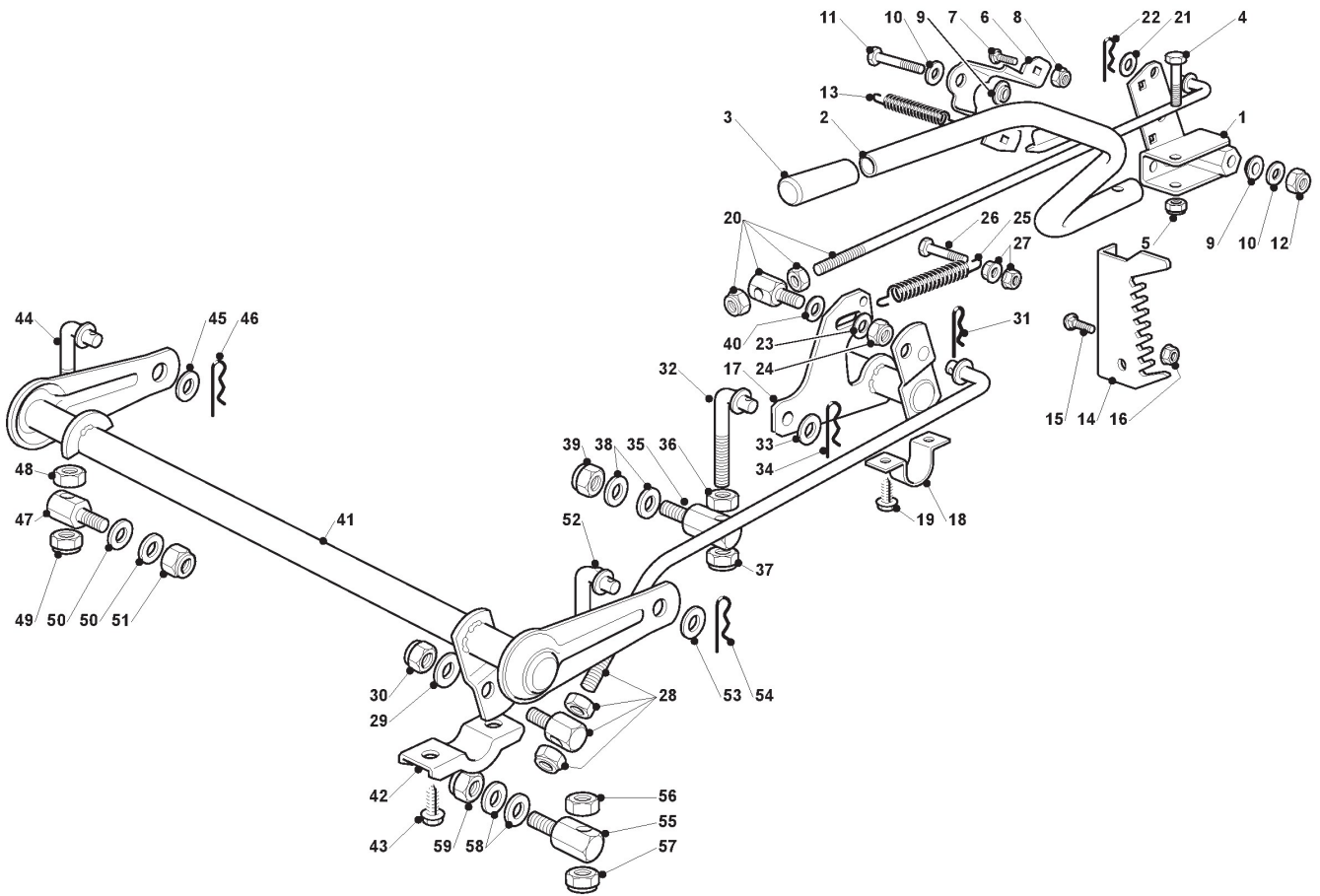
Transmission with Electromagnetic Clutch

Ref.nr.	Antal	Komponentkode	Beskrivelse	Noter	From	Op til
1	1	118399061/0	Clutch			To
1	1	118399063/0	Electromagnetic Clutch		From	31-August-2007
2	1	112737320/0	Screw			
3	1	112543000/0	Washer			
4	1	122430216/0	Tension Spring			To
4	1	122430216/1	Spring		From	31-August-2010
5	1	125601567/0	Pulley			
6	1	125160021/0	Spacer			
7	1	382318217/0	Lever			
8	1	112691115/0	Screw			
9	1	112523060/0	Washer			
10	1	327670055/0	Antifriction Washer			
11	1	125510087/0	Pin			
12	1	112523060/0	Washer			
13	1	112155000/0	Nut			
14	1	125601554/0	Pulley			
15	1	112523060/0	Washer			
16	1	112155000/0	Nut			
17	1	125430260/0	Spring			
18	1	325755049/0	Bracket			
19	1	125840005/0	Tie Rod			
20	2	112293200/0	Nut			
21	1	112818690/0	Screw			
22	1	112293201/0	Nut			
23	1	382820013/0	Tie Rod			
24	1	112155000/0	Nut			
25	1	125510063/0	Pin			
26	2	325670011/0	Antifriction Washer			
27	1	112155000/0	Nut			
28	1	112521350/0	Washer			
29	1	112604899/0	Crown Fastener			
30	1	135062012/0	Belt			
32	1	125065026/0	Cable			
41	1	125510100/0	Pin			
42	1	112691800/0	Screw			
43	1	125601555/0	Pulley			
44	1	112523060/0	Washer			
45	1	112155000/0	Nut			
46	1	125160014/1	Right Spacer			
47	1	125160018/1	Left Spacer			
48	1	112691200/0	Screw			
49	1	112691100/0	Screw			
50	2	125601588/0	Pulley			
51	2	122671653/0	Washer			
52	2	112155000/0	Nut			
55	4	112154210/0	Nut			
56	2	325774247/0	Bracket			
57	2	112735150/0	Screw			



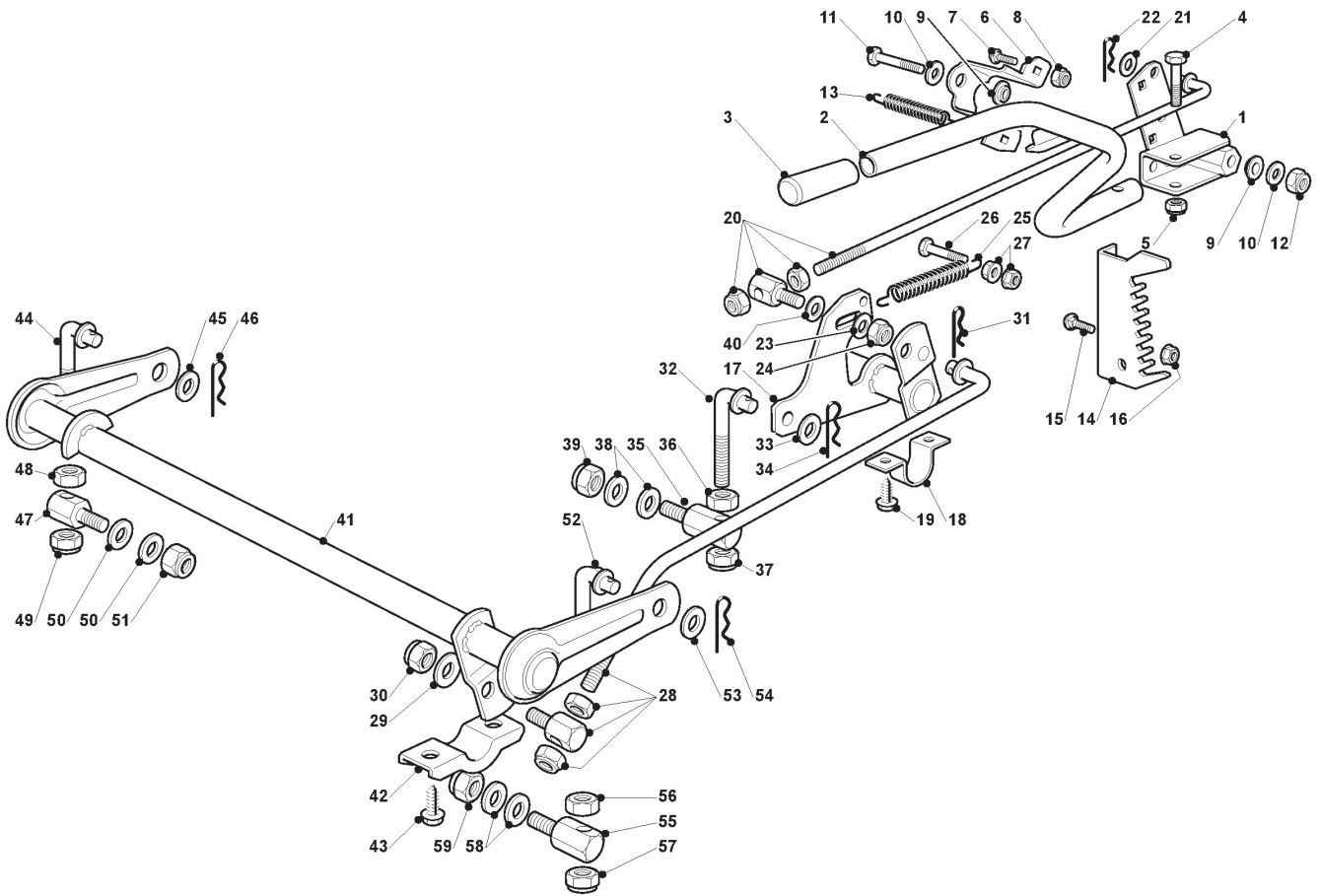
Transmission with Electromagnetic Clutch

Ref.nr.	Antal	Komponentkode	Beskrivelse	Noter	From	Op til
58	2	112792611/0	Screw			
59	2	112293201/0	Nut			
60	1	182601509/0	Pulley			
61	1	112139430/0	Key			
62	1	112608950/0	Seeger			
63	1	125270321/0	Belt Guide			
64	2	112523040/0	Washer			
65	2	112292102/0	Nut			
67	24	112521410/0	Washer			
71	2	125580030/0	Belt Guide Peg			
72	2	112523060/0	Washer			
73	2	112360425/0	Nut			



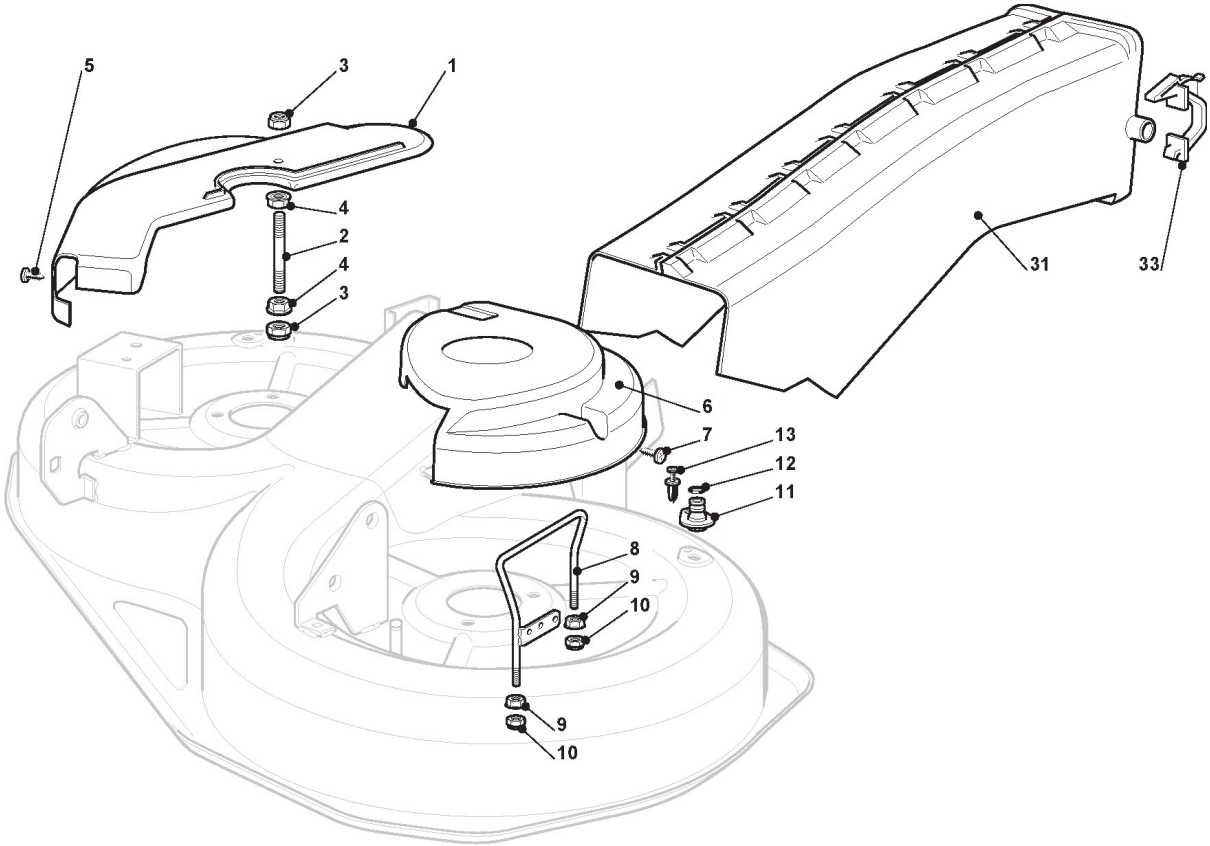
Cutting Plate Lifting

Ref.nr.	Antal	Komponentkode	Beskrivelse	Noter	From	Op til
1	1	382774249/0	Clamp			
2	1	382318219/1	Lever			
3	1	325394535/0	Knob			
4	1	112674700/0	Screw			
5	1	112154510/0	Nut			
6	1	325650113/0	Plate			
7	2	112818690/0	Screw			To 31-August- 2017
7	2	9897-0820-16	Screw		From	
8	2	112155000/0	Nut			
9	2	122041980/0	Bushing			
10	2	112523060/0	Washer			
11	1	112691600/0	Screw			
12	1	112155000/0	Nut			
13	1	125430259/0	Spring			
14	1	325735511/0	Sector			
15	2	112818690/0	Screw			To
15	2	9897-0820-16	Screw		From	
16	2	112293201/0	Nut		01-Septem ber-2017	
17	1	382000387/0	Axle			
18	2	325547041/1	Plate			
19	4	112731580/0	Screw			
20	1	382000618/0	Rod			
21	1	325670011/0	Antifriction Washer			
22	1	124487997/0	Cotter Pin		From	
22	1	124487998/0	Cotter Pin			To 31-August- 2013
23	1	112523040/0	Washer			
24	1	112154210/0	Nut			
25	1	122446402/0	Spring			To
25	1	122446402/1	Spring		From	
26	1	112792410/0	Screw		01-Septem ber-2012	
27	2	112292102/0	Nut			
28	1	382000537/0	Connecting Rod			
29	2	325670008/1	Washer			
30	1	112156602/0	Nut			
31	1	124487997/0	Cotter Pin			To
31	1	124487998/0	Cotter Pin		From	31-August- 2013
32	1	125840025/0	Tie Rod			
33	1	325670008/1	Washer			
34	1	124487998/0	Cotter Pin			
35	1	125510090/0	Pin			To
35	1	382640808/0	Tie Rod Assy		From	
36	1	112295200/0	Nut		01-Septem ber-2017	
37	1	112156602/0	Nut			
38	2	325670008/1	Washer			
39	1	112156602/0	Nut			
40	2	112521360/0	Washer			
41	1	382000385/0	Axle			
42	2	327546015/1	Plate			To 31-August-



Cutting Plate Lifting

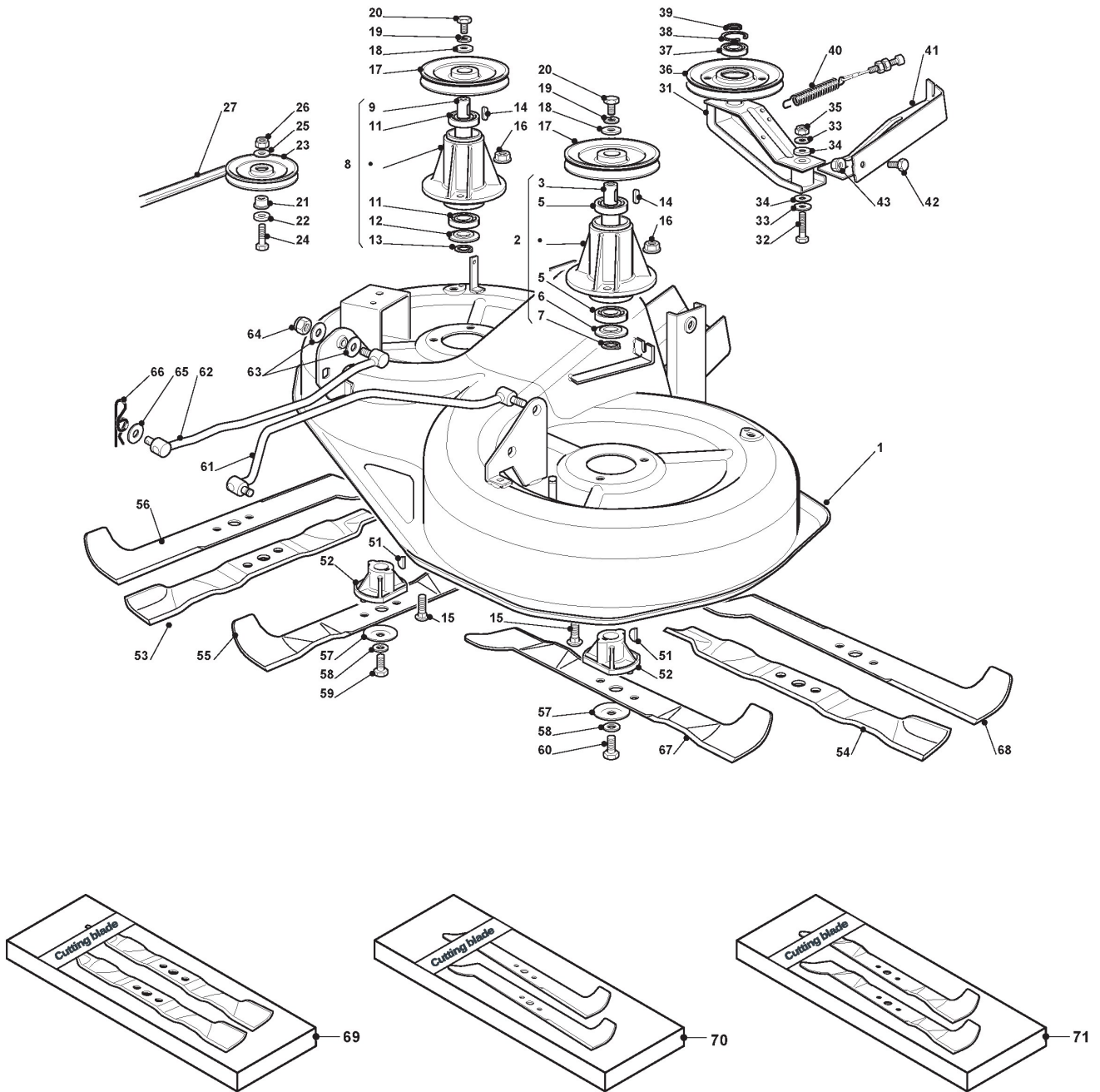
Ref.nr.	Antal	Komponentkode	Beskrivelse	Noter	From	Op til
42	2	327546015/2	Plate		From	
43	4	112731350/0	Screw		01-September-2013	
44	1	125840024/0	Tie Rod			To
44	1	125840025/0	Tie Rod		From	31-August-2013
45	1	325670008/1	Washer			
46	1	124487998/0	Cotter Pin			
47	1	125510098/0	Pin			To
47	1	382640807/1	Tie Rod Assy	Incl. Pos.44-47-48-49		31-August-2016
48	1	112295200/0	Nut			
49	1	112156602/0	Nut			
50	2	325670008/1	Washer			
51	1	112156602/0	Nut			
52	1	125840025/0	Tie Rod			
53	1	325670008/1	Washer			
54	1	124487998/0	Cotter Pin			
55	1	125510090/0	Pin			To
55	1	382640808/0	Tie Rod Assy		From	
56	1	112295200/0	Nut		01-September-2017	
57	1	112156602/0	Nut			
58	2	325670008/1	Washer			
59	1	112156602/0	Nut			



Guards And Conveyor

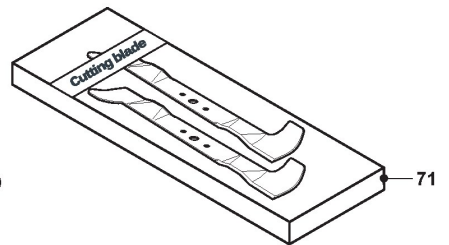
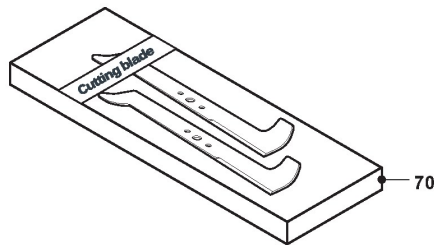
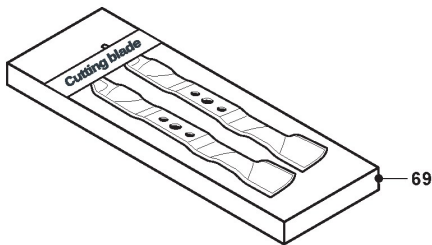
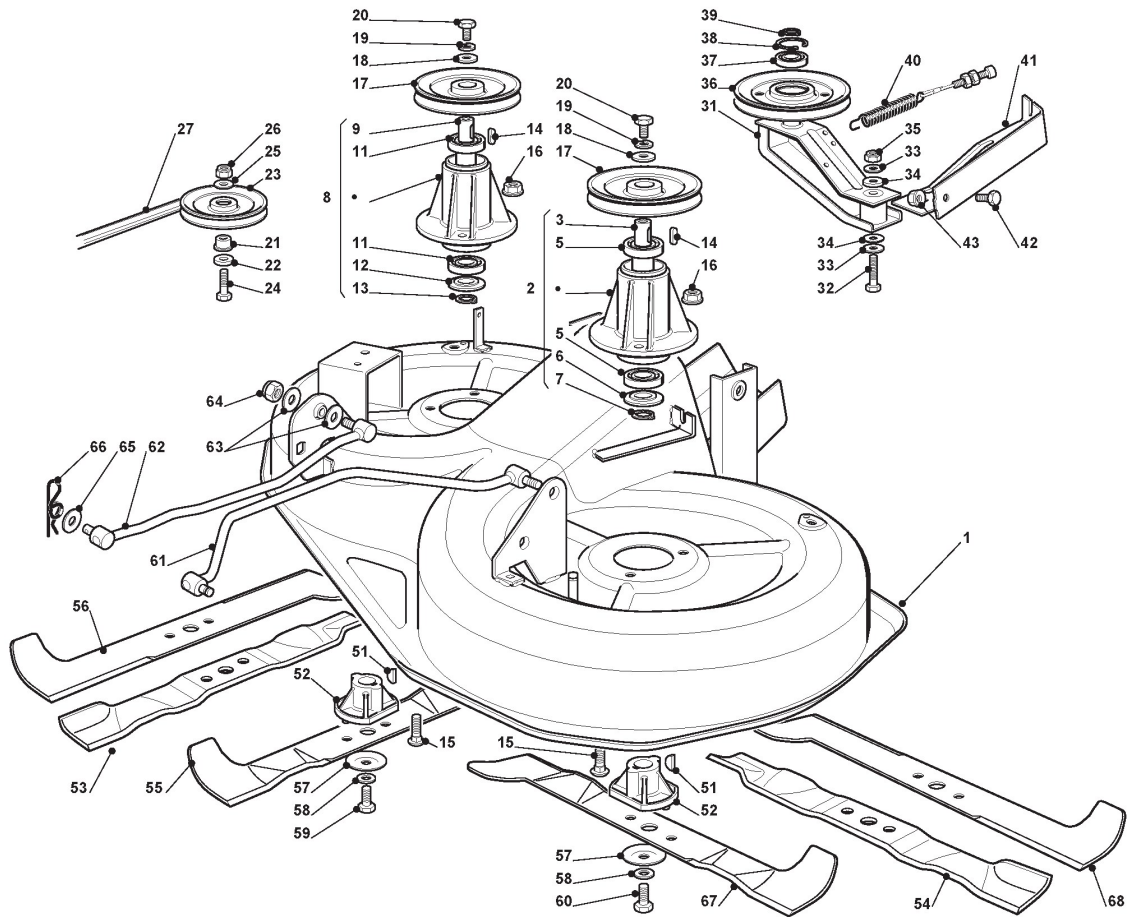
Ref.nr.	Antal	Komponentkode	Beskrivelse	Noter	From	Op til
1	1	325060111/0	Right Belt Protection Carter			
2	1	125580007/0	Belt Guide Peg			
3	2	112155000/0	Nut			
4	2	112293201/0	Nut			
5	2	112735110/0	Screw			
6	1	325060112/0	Left Belt Protection			
7	2	112735110/0	Screw			
8	1	382270301/0	Belt Guide			
9	2	112293201/0	Nut			
10	2	112155000/0	Nut			
11	2	125033060/0	Washing Cutting Deck Connection			
12	2	119035000/0	Or Ring			
13	2	112500030/0	Rivet			
31	1	382108008/0	Conveyor			To
31	1	382108008/1	Conveyor			To
33	2	325774373/0	Clamp			01-September-2012

Cutting Plate



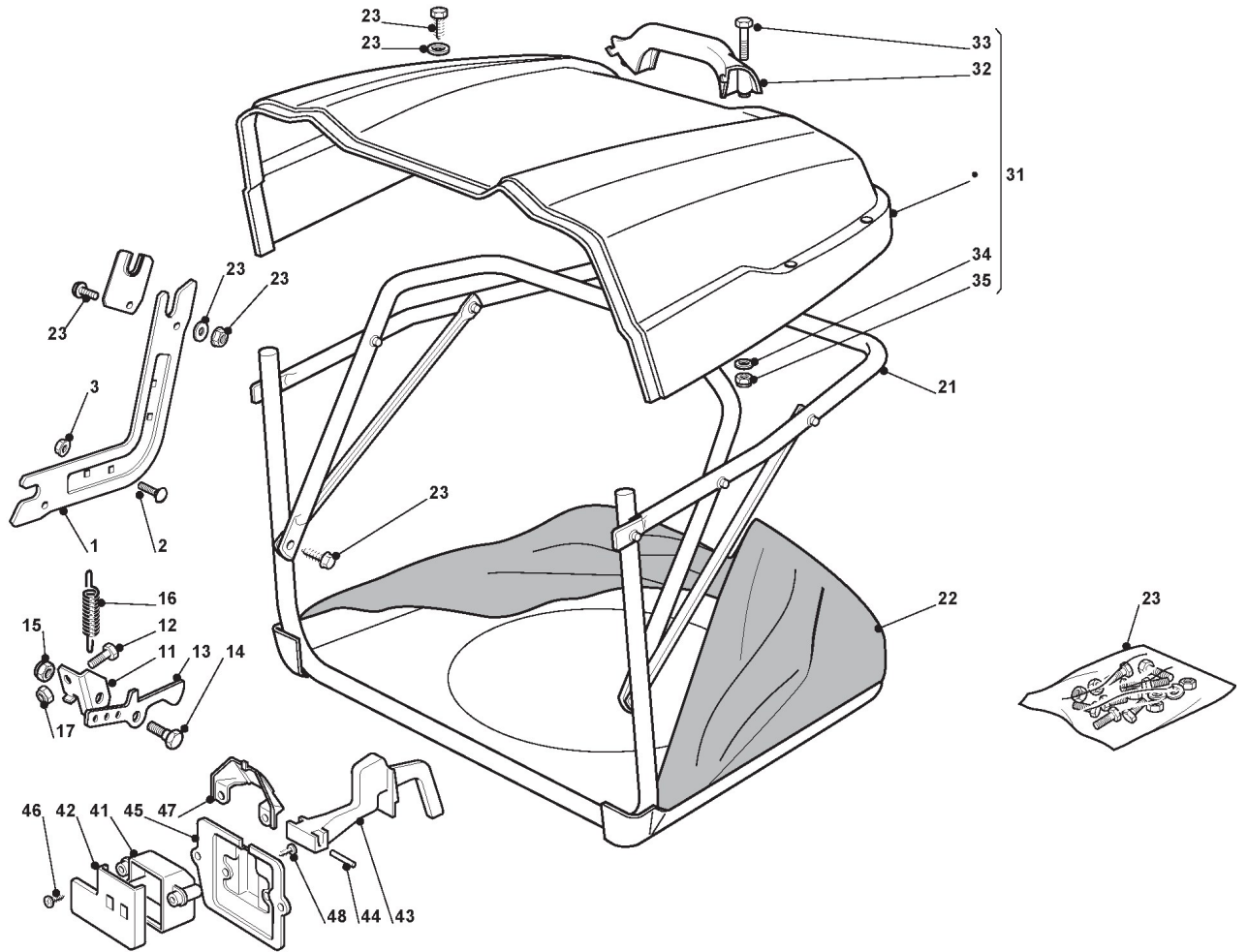
Cutting Plate

Ref.nr.	Antal	Komponentkode	Beskrivelse	Noter	From	Op til
1	1	382564075/0	Cutting Plate Black			
2	1	382207202/0	Left Flange Ass.Y			
3	1	125020802/0	Shaft			
5	2	119216032/0	Bearing			To
5	2	119216047/0	Bearing		From 01-Septem ber-2010	
6	1	325160501/0	Dust Cover Disc			
7	1	112609260/0	Seeger			
8	1	382207203/0	Right Flange Assy			
9	1	125020803/0	Secondary Blade Shaft			
11	2	119216032/0	Bearing			To
11	2	119216047/0	Bearing		From 01-Septem ber-2010	
12	1	325160501/0	Dust Cover Disc			
13	1	112609260/0	Seeger			
14	2	112139480/0	Feather			
15	6	112818700/0	Screw			To
15	6	9959-0825-16	Screw		From	31-August- 2016
16	6	112154210/0	Nut			
17	2	125601563/0	Pulley			
18	2	125670007/0	Washer			
19	2	112583500/0	Grower			
20	2	112793102/0	Screw			
21	1	125160007/0	Spacer			To
21	1	125160007/1	Pulley		From 01-Septem ber-2010	To 31-August- 2013
21	1	125160079/0	Spacer			
22	1	125670007/0	Washer			
23	1	125601555/0	Pulley			To
23	1	325601599/0	Pulley		From 01-Septem ber-2013	
24	1	112691115/0	Screw			
25	1	112523060/0	Washer			
26	1	112155000/0	Nut			
27	1	135061508/0	Belt			
31	1	382318141/2	Lever			
32	1	112691700/0	Screw			
33	2	112523070/0	Washer			
34	2	322672152/0	Antifriction Washer			
35	1	112155000/0	Nut			
36	1	125601564/0	Pulley			To
36	1	125601564/1	Pulley		From	31-August- 2013
37	1	119216033/1	Bearing			To
37	1	119216048/0	Bearing		From	31-August- 2010
38	1	112610800/0	Seeger			
39	1	112609200/0	Seeger			
40	1	382004618/0	Wire			
41	1	382774215/2	Clamp			To
41	1	382774215/3	Clamp		From 01-Septem ber-2010	
42	1	112792611/0	Screw			
43	1	112293201/0	Nut			
51	2	112139100/0	Key			



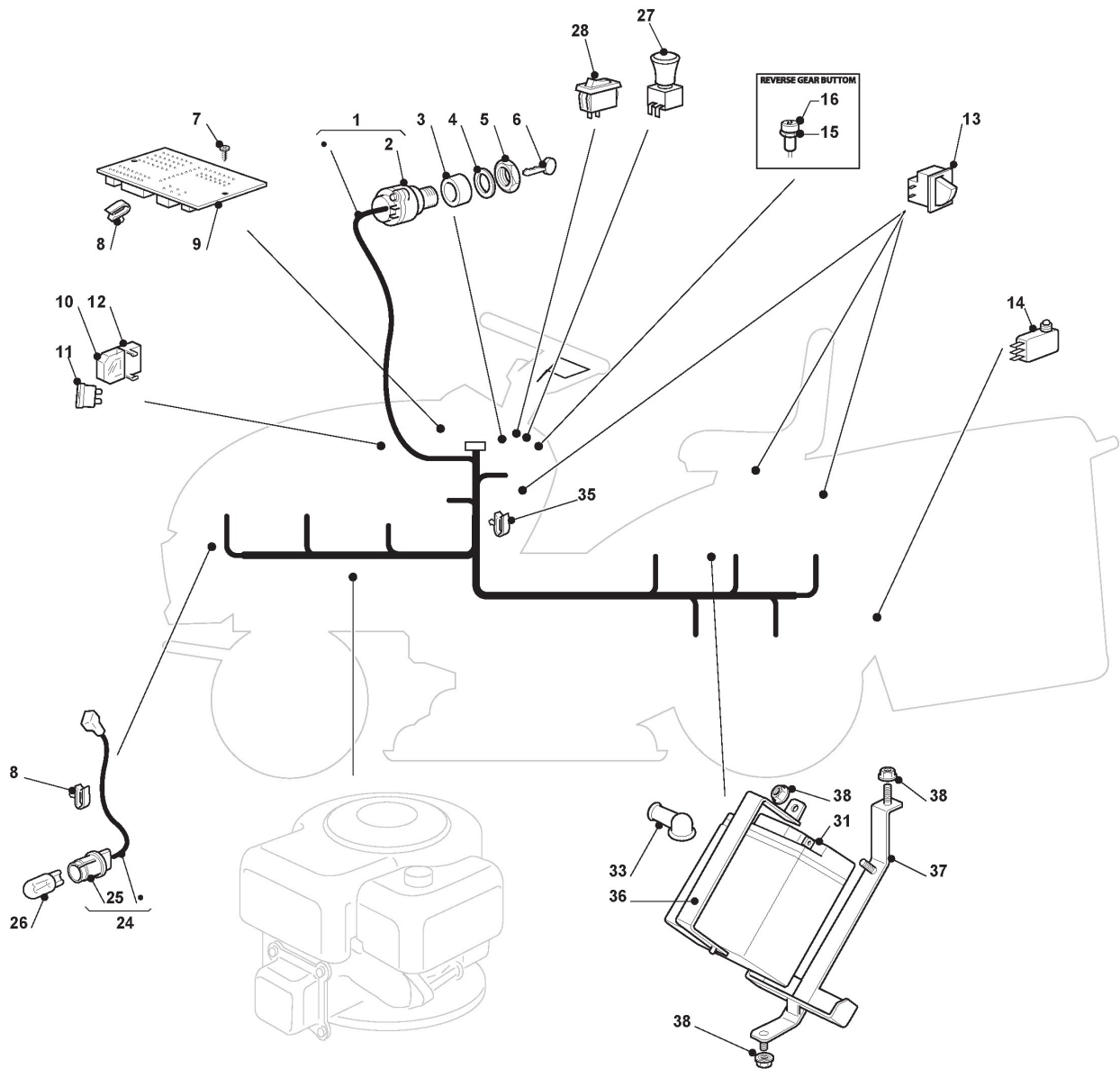
Cutting Plate

Ref.nr.	Antal	Komponentkode	Beskrivelse	Noter	From	Op til
52	2	1134-9159-01	Blade Holder	Stiga Packed into 125463200/0		
52	2	125463200/0	Blade Hub			
53	1	182004352/0	Right Mulching Blade			
54	1	181004346/3	Blade			
55	1	182004354/0	Right Blade, Winged			
56	1	182004345/1	Right Blade, Winged			
57	2	122160400/0	Elastic Disc			
58	2	112523080/0	Washer			
59	1	112735695/1	Screw			
60	1	112735694/0	Screw			
61	1	382000535/0	Equalizer Rod			To
61	1	382000535/0LC	Equalizer Rod		From	31-August-2015
62	1	382000533/0	Equalizer Rod			
63	4	325670008/1	Washer			
64	2	112156602/0	Nut			
65	2	325670008/1	Washer			
66	2	124487998/0	Cotter Pin			
67	1	182004353/0	Left Blade Mulching, Winged			
68	1	182004344/1	Left Blade, Winged			
69	1	1134-9223-01	Mulching Blades	Stiga Packed into 181004346/3 + 182004352/0		
70	1	1134-9222-01	Blade Winged, Mulching	Stiga Packed into 182004353/0 + 182004354/0		
71	1	1134-9224-01	Winged Blades	Stiga Packed into 182004344/1 + 182004345/1		



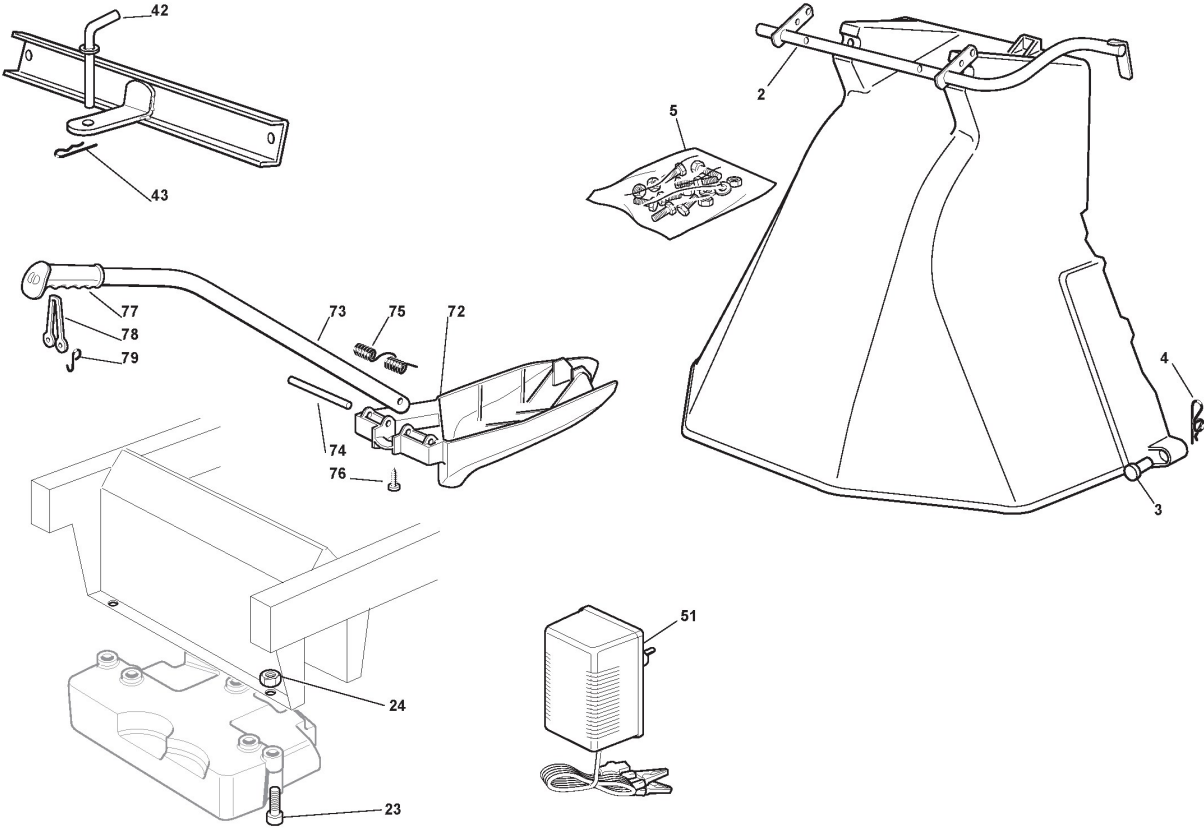
Grass-Catcher Low End - 260 lt

Ref.nr.	Antal	Komponentkode	Beskrivelse	Noter	From	Op til
1	2	325785275/0	Support			
2	4	112818690/0	Screw			
3	4	112293201/0	Nut			
11	1	325755031/1	Bracket			
12	1	112789000/0	Screw			
13	1	325774315/1	Bracket			
14	1	125510080/1	Pin			
15	1	112292102/0	Nut			
16	1	122450432/0	Spring			
17	1	112154330/0	Nut			
21	1	382800110/0	Front Frame			
22	1	182105974/0	Grasscatcher			
23	1	382180120/0	Outfit, Screws			
31	1	382110273/0	Grasscatc+Handle Cover			To
31	1	382110273/1	Black Grass-Catcher Cover		From 01-Septem ber-2009	
32	1	127394000/0	Handle			
33	2	112789020/0	Screw			
34	2	112523020/0	Washer			
35	2	112154330/0	Nut			
41	1	125600041/0	Grassc.Full Micro Protection Tcj-F			
42	1	125600042/0	Grasscatcher Micro Prot Cover			
43	1	125318124/0	Full Grassc. Microswtich Cover			
44	1	112400030/0	Pin			
45	1	325785272/0	Micro Protection			
46	1	112728510/0	Screw			
47	1	125600048/0	Empty Micro Grassc.Protection Cover			
48	2	112735110/0	Screw			



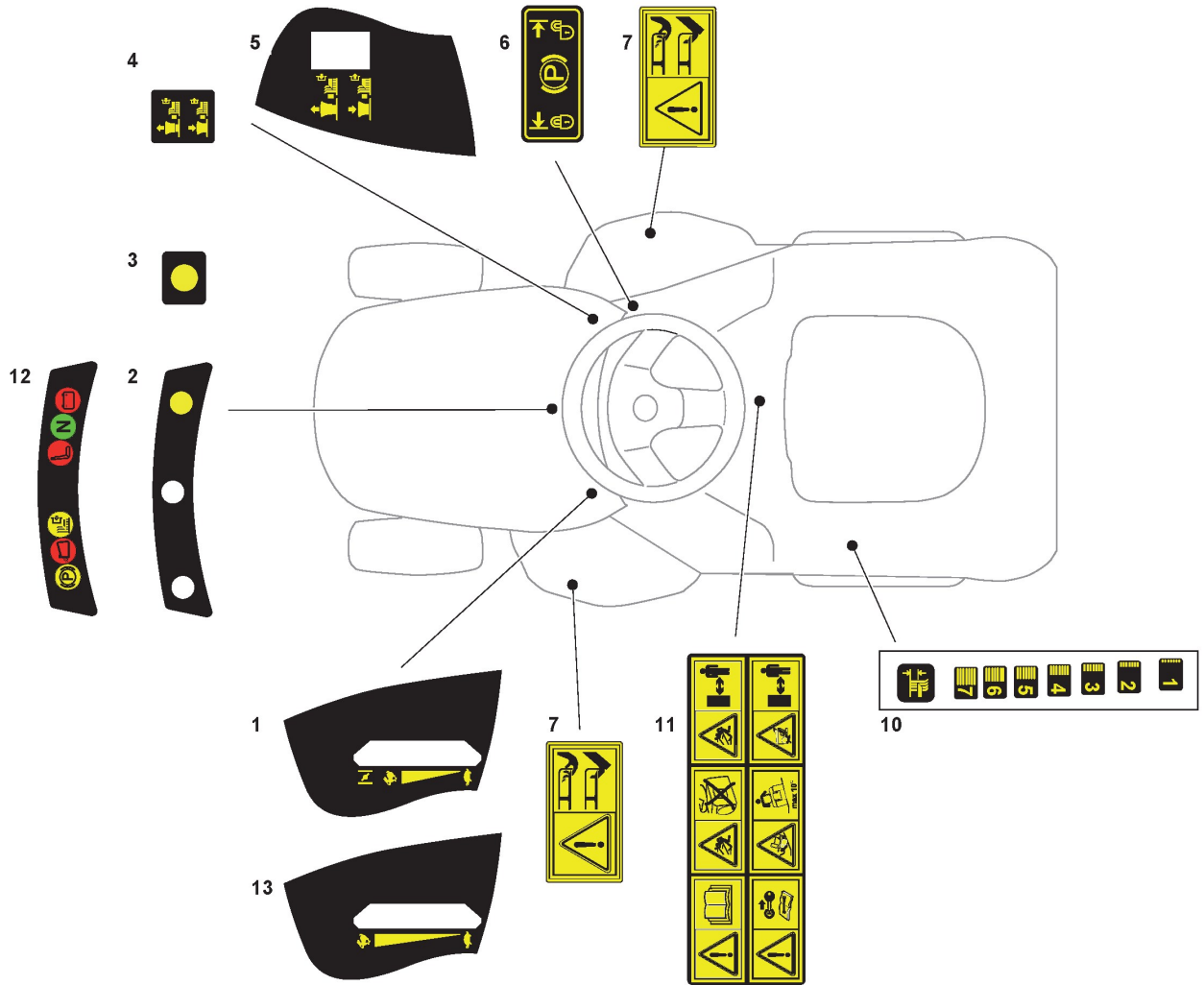
Electrical Parts

Ref.nr.	Antal	Komponentkode	Beskrivelse	Noter	From	Op til
1	1	182040143/0	Cables Ass.Y			To
1	1	182040153/0	Cables Ass.Y		From	31-August-2009
1	1	182040201/0	Cables Ass.Y - ISO		From	
2	1	118450072/0	Starting Switch		From	01-September-2014
3	1	118550136/0	Spacer			
4	1	118550135/0	Washer			
5	1	118400862/0	Ring Nut			
6	1	118210022/0	Starting Key			
7	3	112727810/0	Screw			
8	2	133320506/0	Fairlead			
9	1	125722430/0	Electronic Card			To
9	1	125722430/1	Electronic Card (1 Led)		From	31-August-2007
9	1	125722443/0	Electronic Card (1 Led)		From	
10	2	133215000/0	Cover		From	01-September-2014
11	1	133340036/0	Fuse 25 A			
11	1	133340040/0	Fuse 10 A			
12	2	133500007/0	Fuse Carrier			
13	3	119410606/0	Microswitch			To
13	3	119410613/0	Microswitch		From	To
13	3	119410615/0	Microswitch		01-September-2010	31-August-2019
13	1	119410622/1	Microswitch		From	
14	1	119410605/1	Microswitch		From	01-September-2019
15	1	325256250/0	Screwed Ring			
16	1	325605003/0	Button			
24	1	182040070/0	Headlight Cable	for Lamp Version		
25	2	133500030/0	Lamp Holder			
26	2	118459100/0	Lamp For Lights			
27	1	118450073/0	Clutch Switch	Red		
28	1	118450060/1	Headlight Switch			To
28	1	118450060/1LC	Headlight Switch		From	31-August-2016
28	1	118450084/0	Headlight Switch		From	
31	1	118120002/1	Battery		From	27-June-2019
31	1	118120007/0	Battery		From	
33	1	118564861/1	Protection		From	01-September-2016
33	1	118564861/2	Protection		From	
35	9	133320506/0	Fairlead		From	01-September-2017
36	1	327772099/1	Clamp			
37	1	382785191/0	Battery Support			
38	3	112155000/0	Nut			



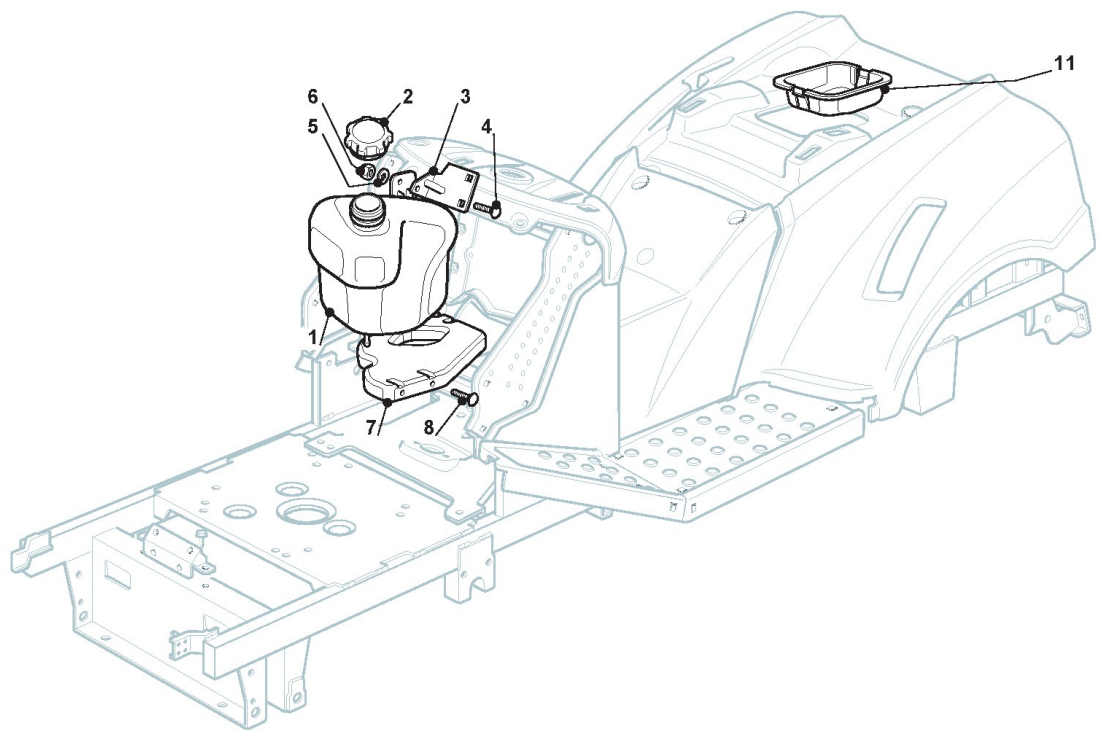
Optionals On Request

Ref.nr.	Antal	Komponentkode	Beskrivelse	Noter	From	Op til
2	1	382869035/0	Stone Guard Tube			
3	2	125510022/0	Pin			To
3	1	125510022/1	Pin		From	
4	2	124487998/0	Cotter Pin		01-September-2012	
5	1	382180062/0	Outfit, Screws			
23	3	112760520/0	Screw			
24	3	112155000/0	Nut			
42	1	125510021/1	Hitch Pin			
43	1	124487999/0	Spring Pin			
51	1	182180050/0	Battery Charger			To
51	1	182180090/0	Battery Charger 12V 1A - CE Plugg		From	
72	1	325140093/0	Deflector		01-September-2009	
73	1	325394007/0	Handle			
74	1	125510077/0	Pin			
75	1	125430245/0	Spring			
76	1	112735410/0	Screw			
77	1	325280000/1	Handgrip			
78	1	125840011/1	Tie Rod			
79	2	125253004/0	Mulch.Kit Fixing Hook			



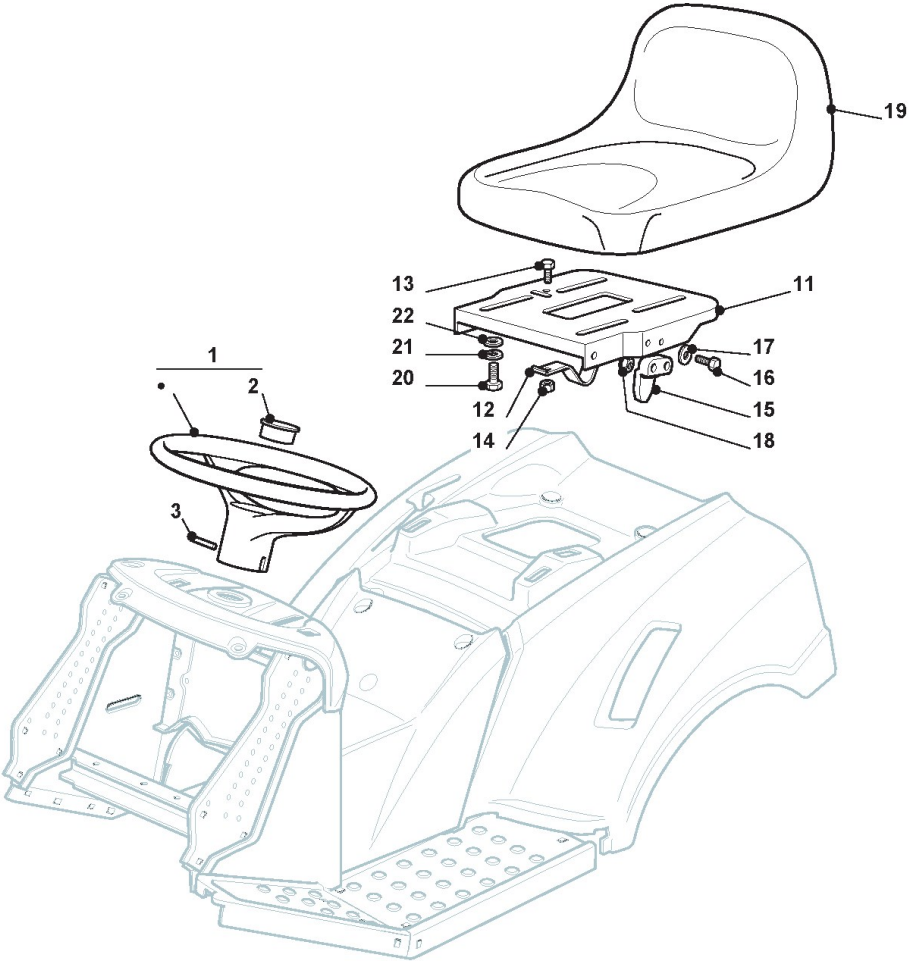
Labels

Ref.nr.	Antal	Komponentkode	Beskrivelse	Noter	From	Op til
1	1	114361440/0	Label			
2	1	125420019/0	Label			To
2	1	125420024/0	Label		From 01-Septem ber-2014	
3	1	125420018/0	Label			
4	1	114361438/0	Label			
5	1	114361439/0	Label			
6	1	114361452/0	Label			
7	2	114356699/1	Label			
10	1	114361441/0	Label			
11	1	114361553/0	Label			To
11	1	114361553/1	Label		From 01-Septem ber-2009	
12	1	125420020/0	Label			
13	1	114364616/0	Label			



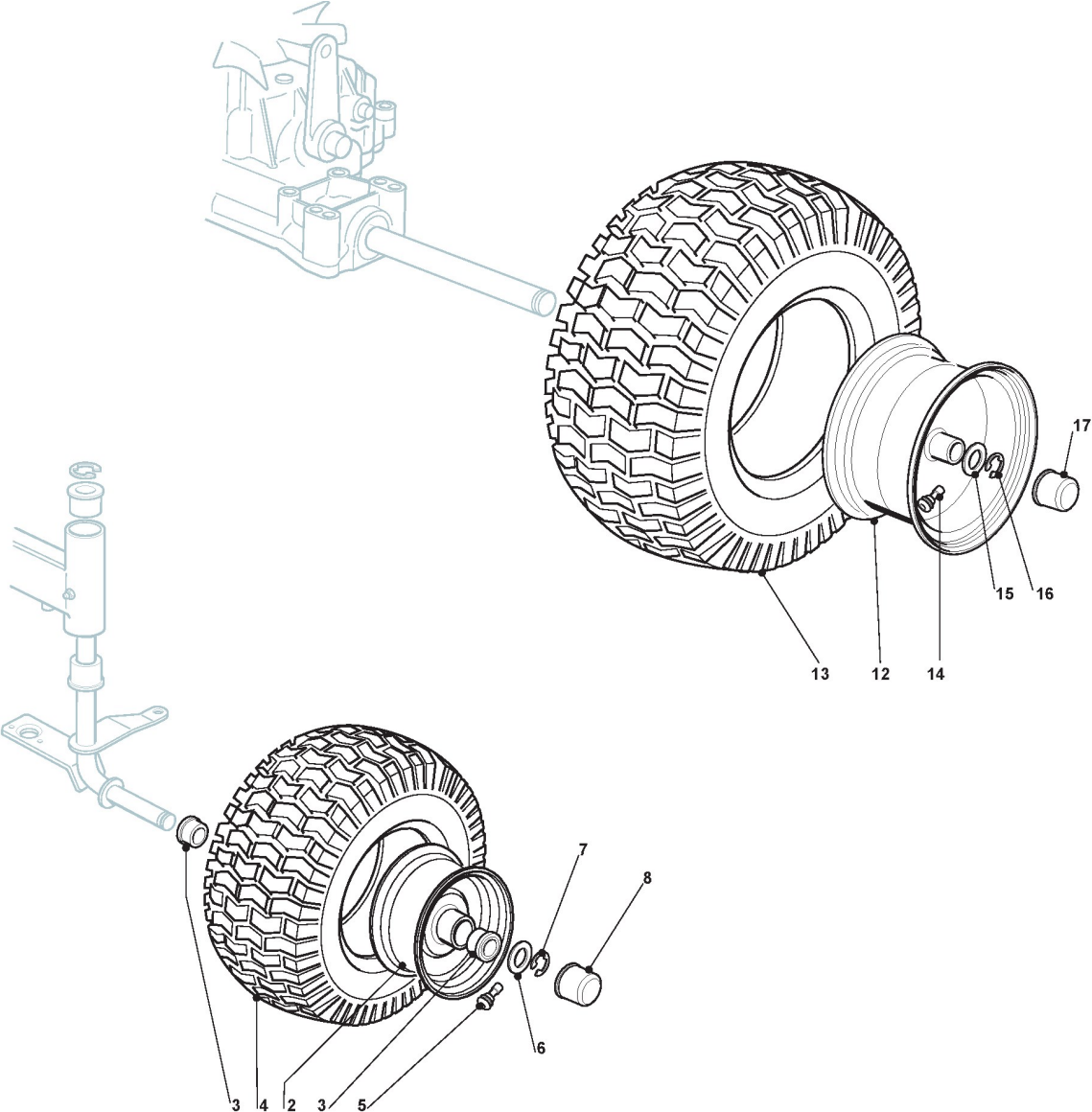
Tank 4,5 Lt

Ref.nr.	Antal	Komponentkode	Beskrivelse	Noter	From	Op til
1	1	325735124/0	Fuel Tank			
2	1	125795001/1	Cap			
3	1	325785291/0	Support			
4	1	112789195/0	Screw			
5	1	112581500/0	Grower			
6	1	112437503/0	Plate			
7	1	325785289/0	Support			
8	4	112735403/0	Screw			
11	1	325207176/0	Basin			



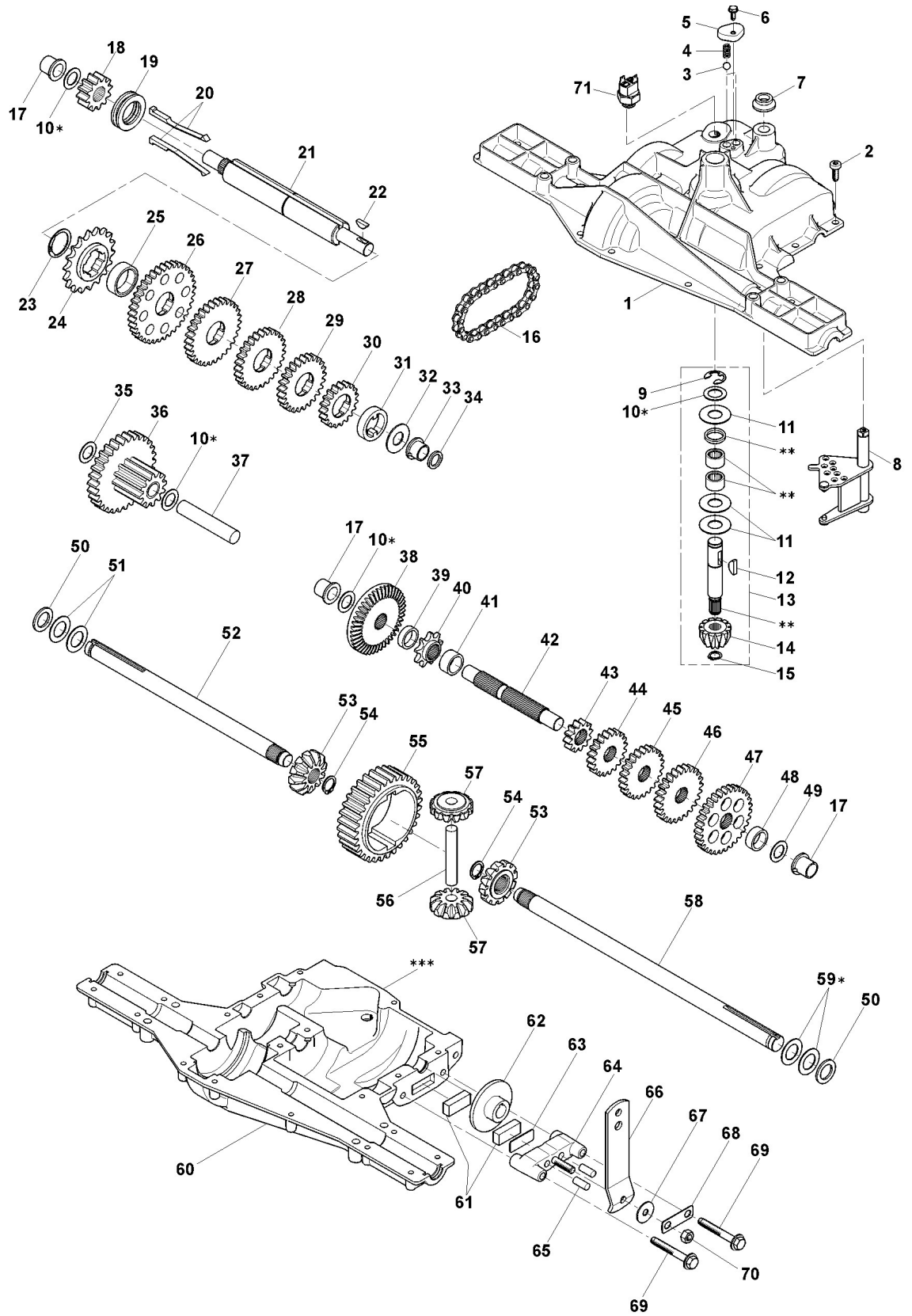
Seat & Steering Wheel

Ref.nr.	Antal	Komponentkode	Beskrivelse	Noter	From	Op til
1	1	125961201/0	Steering Wheel			
2	1	325120230/0	Cover			
3	1	112620299/0	Elastic Pin			
11	1	325547033/1	Seat Plate			
12	1	125430223/2	Spring			
13	1	112789000/0	Screw			
14	1	112154330/0	Nut			
15	1	327063021/1	Cam			
16	2	112789100/0	Screw			
17	2	112523020/0	Washer			
18	2	112154330/0	Nut			
19	1	125722470/0	Seat			
20	4	112793101/0	Screw			
21	4	112583500/0	Grower			
22	4	112523060/0	Washer			



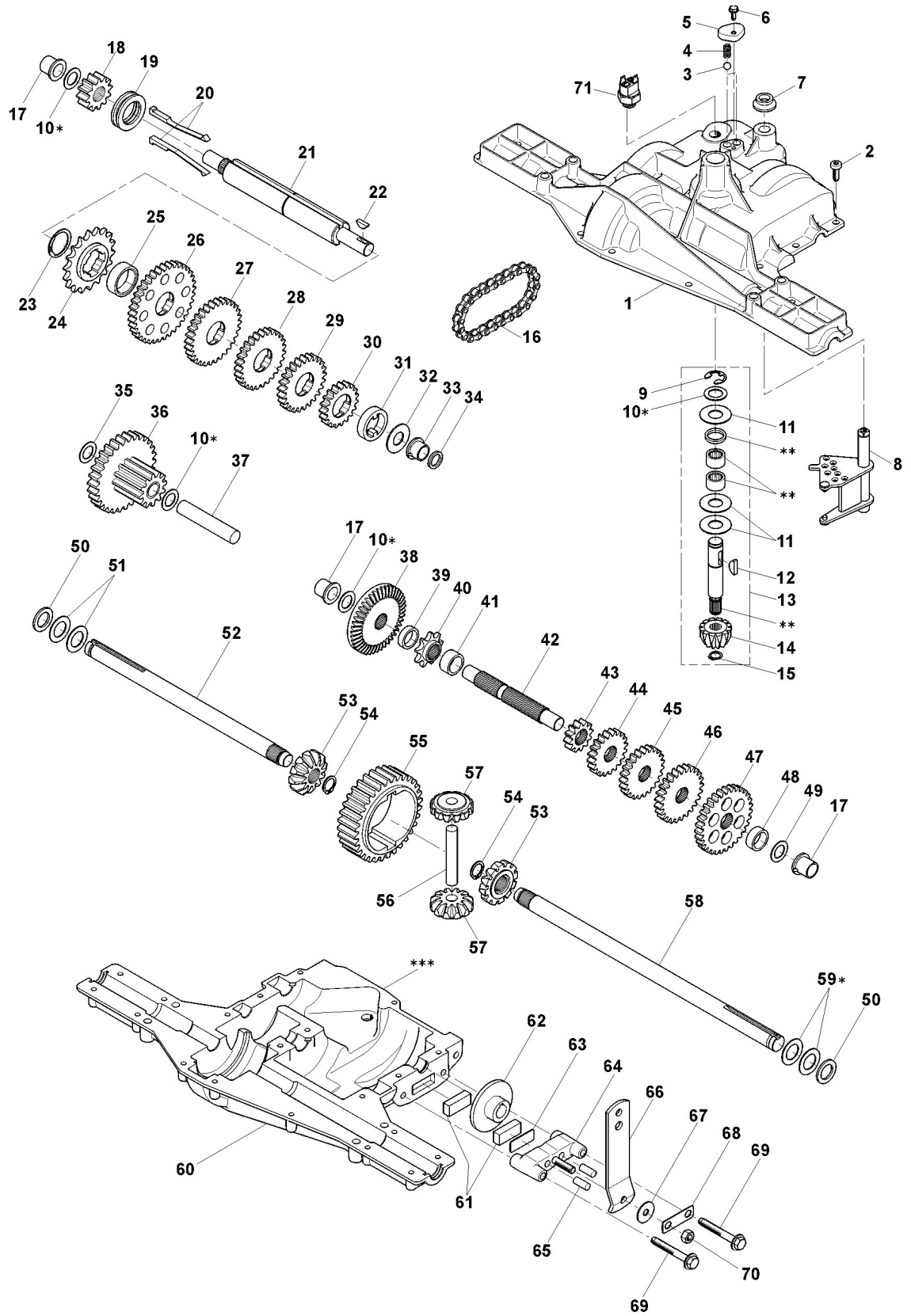
Wheels

Ref.nr.	Antal	Komponentkode	Beskrivelse	Noter	From	Op til
2	2	182000598/0	Rimm			
3	4	125122200/2	Bearing			
4	2	125590000/0	Front Tyre	13X5.00-6 2 TELE CARLISLE		To 31-August- 2015
4	2	125590014/0	Tyre	13X5.00-6 PR2 TL P512 WANDA		
4	2	125590018/0	Tyre	13X5.00-6 PR2 TL P512 WANDA	From 01-Septem ber-2015	
5	2	125950000/0	Valve			
6	2	125670005/1	Washer			To 31-August- 2014
6	2	125670005/2	Washer		From	
7	2	112001000/0	Benzing Ring			
8	2	122110230/0	Hub Cover			
12	2	182000599/0	Rimm			
13	2	125590001/0	Rear Tyre	18X8.50-8 2 TELE CARLISLE		To
13	2	125590015/0	Tyre	18X8.50-8 WANDA		
13	2	125590021/0	Tyre	18X8.50-8 PR2 TL P512 WANDA	From	
14	2	125950000/0	Valve			
15	2	125670005/1	Washer			To
15	2	125670005/2	Washer		From	
16	2	112001010/0	Benzing Ring		01-Septem ber-2014	
17	2	122110230/0	Hub Cover			



Transmission

Ref.nr.	Antal	Komponentkode	Beskrivelse	Noter	From	Op til
1	1	F000-5962-AC	Housing, Upper			
2	16	F000-1919-00	Screw			
3	2	F000-5947-00	Detent Ball			
4	2	F000-5948-00	Spring, Detent			
5	1	F000-5950-00	Cover, Detent			
6	1	F084-0052-00	Screw			
7	1	F000-7010-00	V-Ring			
8	1	F000-6517-00	Assy, Kit, Shifter			
9	1	F000-1106-00	Ring, Retaining			
10	4	F000-4689-00	Assy, Kit, Shim, .625 Shaft			
11	3	F000-3876-00	Washer			
12	1	F000-1746-00	Woodruff Key			
13	1	F000-6595-00	Assy, Kit, Input Shaft			
14	1	F000-5620-00	Pinion, Bevel, 12T			
15	1	F000-3624-00	Ring, Retaining			
16	1	F000-3625-00	Chain, 24 Pitches			
17	3	F000-5510-00	Bearing, Flange			
18	1	F000-5627-00	Gear, Spur, 12T			
19	1	F000-5303-00	Collar, Clutch			
20	1	F000-4758-00	Assy, Kit, Clutch Keys			
21	1	F000-5737-00	Shaft, Intermediate			
22	1	F000-1375-00	Woodruff Key			
23	1	F000-3627-00	Ring, Retaining			
24	1	F000-3830-00	Sprocket, 18T			
25	1	F000-3841-00	Spacer			
26	1	F000-5365-00	Gear, Spur, 37T			
27	1	F000-3867-00	Gear, Spur 30T			
28	1	F000-5014-00	Gear, Spur, 27T			
29	1	F000-3783-00	Gear, Spur 25T			
30	1	F000-5202-00	Gear, Spur, 19T			
31	1	F000-5027-00	Spacer			
32	1	F000-3628-00	Washer			
33	1	F000-5511-00	Bearing, Flange			
34	1	F000-5508-00	Seal, Oil			
35	1	F000-1425-00	Washer			
36	1	F000-6358-00	Assy, Gear, Comb., 12T & 30T			
37	1	F000-3967-00	Shaft, Idler			
38	1	F000-7003-00	Gear, Bevel, 36T			
39	1	F000-3630-00	Spacer			
40	1	F000-3645-00	Sprocket, 9T			
41	1	F000-5016-00	Spacer			
42	1	F000-5015-00	Drive Shaft			
43	1	F000-5364-00	Gear, Spur, 12T			
44	1	F000-3866-00	Gear, Spur 20T			
45	1	F000-5013-00	Gear, Spur, 23T			
46	1	F000-3719-00	Gear, Spur, 25T			
47	1	F000-3683-00	Gear, Spur, 31T			
48	1	F000-3714-00	Spacer			



Transmission

Ref.nr.	Antal	Komponentkode	Beskrivelse	Noter	From	Op til
49	1	F000-1145-00	Washer			
50	2	F000-5130-00	Washer			
51	2	F000-3184-00	Washer			
52	1	F000-7070-10	Wheel Axle, Left			
53	2	F000-5622-00	Gear, Miter, 12T, Splined			
54	2	F000-5270-00	Ring, Retaining			
55	1	F000-3839-00	Gear, Spur, 32T			
56	1	F000-3919-00	Shaft, Cross			
57	2	F000-5623-00	Gear, Miter, 12T, Idler			
58	1	F000-7070-20	Wheel Axle, Right			
59	1	F000-4691-00	Assy, Kit, Shim, .750 Shaft			
60	1	F000-5304-R0	Housing, Lower			
61	2	F000-7109-00	Puck, Friction			
62	1	F000-5960-00	Disc, Brake			
63	1	F000-3758-00	Spacer			
64	1	F000-5554-00	Jaw, Brake			
65	2	F000-3843-00	Dowel			
66	1	F000-7026-00	Lever, Actuating			
67	1	F000-3760-00	Washer			
68	1	F000-5555-00	Bracket, Anti-Rotation			
69	2	F000-5562-00	Screw			
70	1	F000-3847-00	Nut			
71	1	119410610/0	Micro Lever			