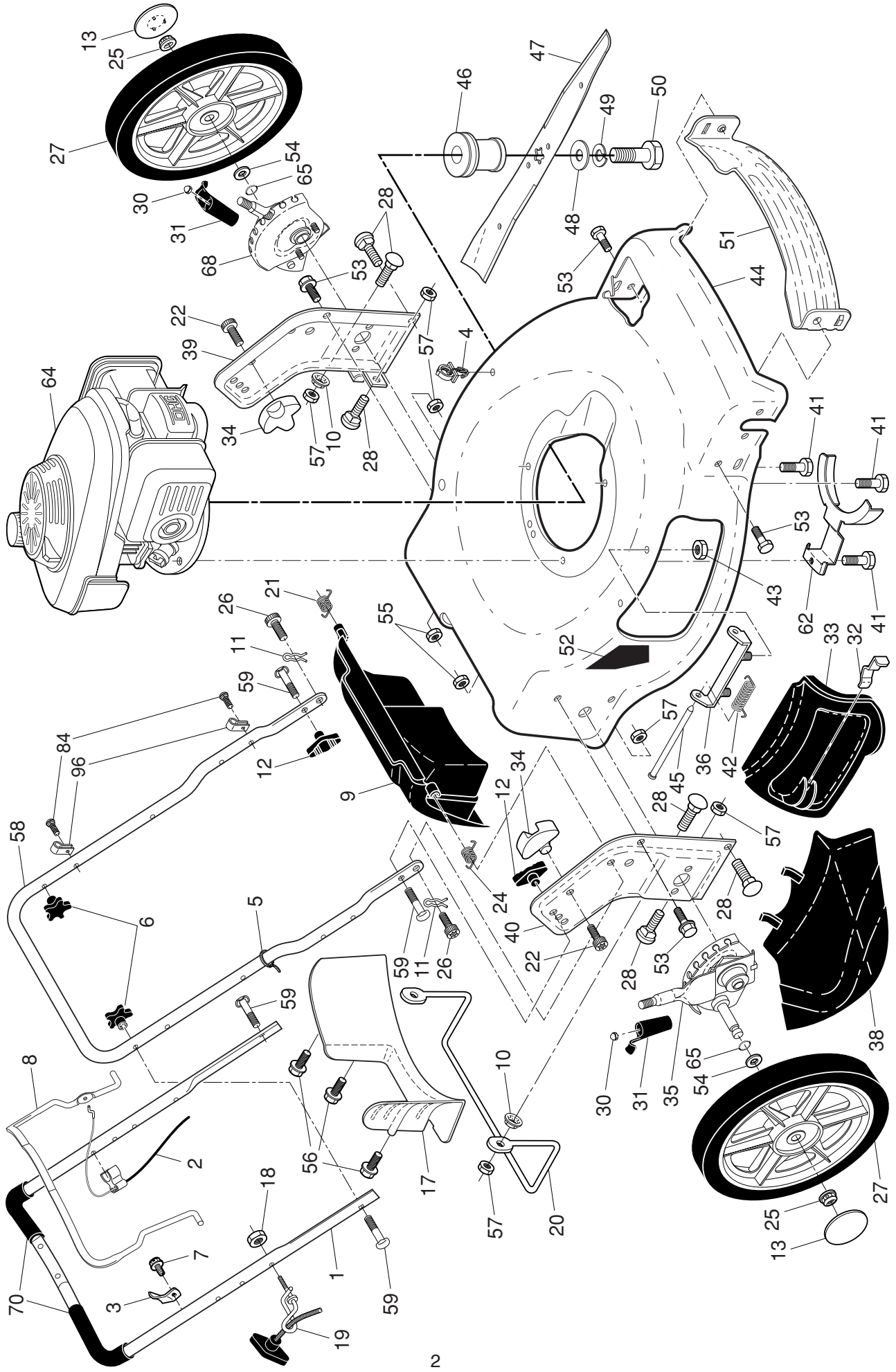


ILLUSTRATED PARTS LIST

MODEL NUMBER EDITION XXL
PRODUCT NUMBER 961 41 02-30
MFG. ID. NUMBER 96141023002

ROTARY LAWN MOWER -- MODEL NUMBER EDITION XXL (96141023002) PRODUCT NO. 961 41 02-30



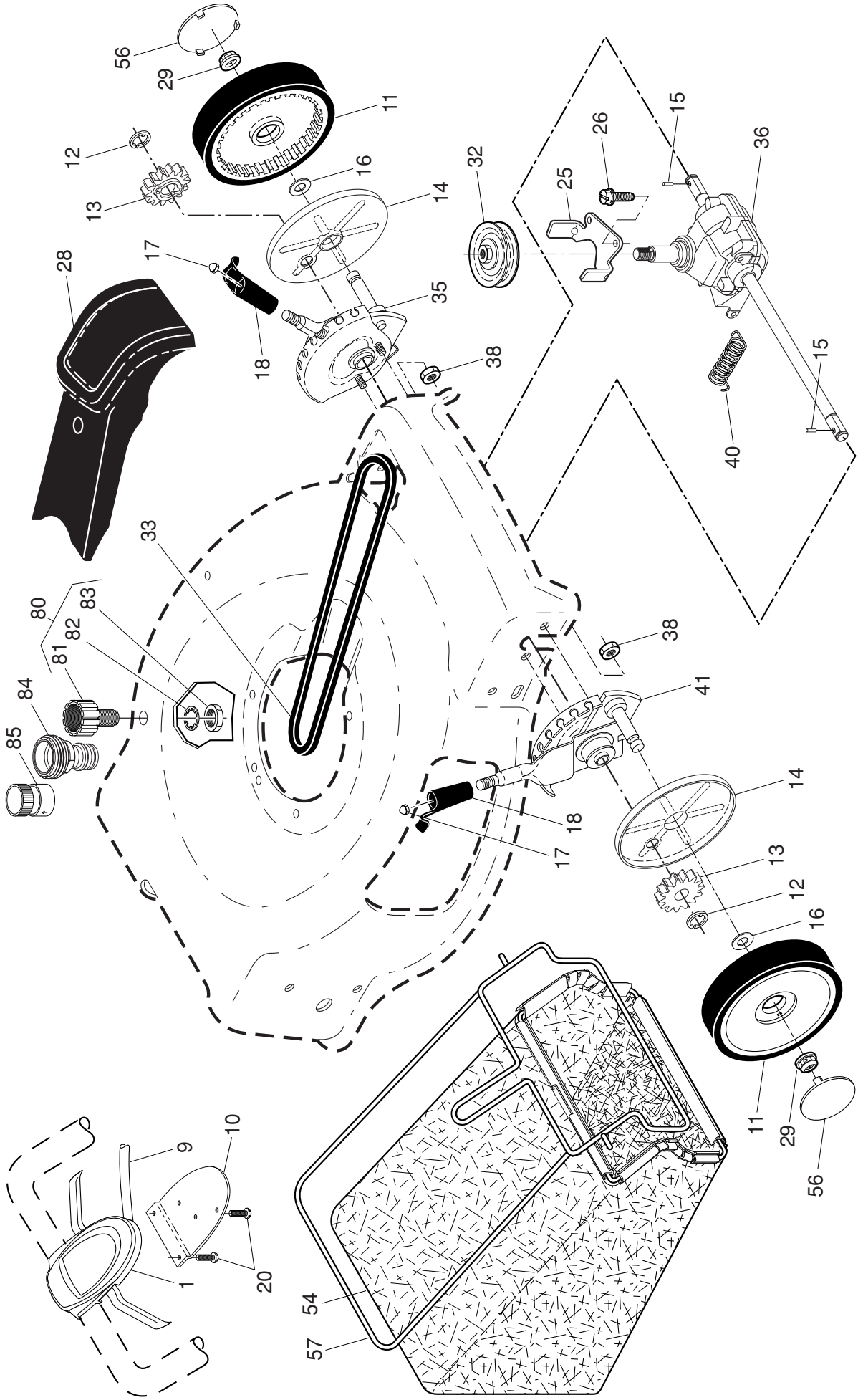
ROTARY LAWN MOWER - - MODEL NUMBER EDITION XXL (96141023002) PRODUCT NO. 961 41 02-30

KEY NO.	PART NO.	DESCRIPTION	KEY NO.	PART NO.	DESCRIPTION
1	532 18 45-76	Upper Handle Assembly (Includes Foam Grip)	39	532 44 05-24	Handle Bracket, LH
2	532 42 40-33	Cable, Engine Zone Control	40	532 44 05-27	Handle Bracket, RH
3	532 43 00-34	Upstop Bracket	41	532 15 04-06	Screw, Dogpoint 3/8-16 x 1-1/8
4	532 14 50 06	Guide, Cable	42	532 19 30-00	Spring, Torsion
5	532 06 64 26	Wire Tie	43	532 19 17-30	Nut, Hex, Nylock
6	532 18 23-98	Handle Knob, Star	44	532 43 17-79	Kit, Lawn Mower Housing
7	532 75 06 34	Screw #10-24 x 1/2	45	532 17 56-50	Rod, Hinge
8	532 42 65-05	Control Bar	46	532 42 17-82	Blade Adapter / Pulley
9	532 42 63-00	Rear Door Assembly	47	532 42 27-06	Blade, 22"
10	532 42 30-63	Pinnut 5/16"	48	532 85 10-74	Washer, Hardened
11	532 42 55-75	Hairpin, Door/Handle Pivot	49	532 85 02-63	Washer, Helical
12	532 19 19-38	Handle Knob, Standard	50	532 85 10-84	Screw, Machine, Hex Head 3/8-24 x 1-3/8 Grade 8
13	532 41 91-29	Hubcap	51	532 43 05-99	Front Baffle
17	532 42 73-07	Rear Baffle	52	532 18 21-66	Decal, Danger
18	532 13 20-04	Keps Locknut 1/4-20	53	817 00 05-10	Screw
19	532 19 47-88	Rope Guide	54	532 08 83-48	Washer, Flat
20	532 42 24-67	Foot Guard	55	532 19 17-30	Nut, Hex, Flanged 1/4-20
21	532 41 99-49	Spring, Rear Door, LH, Black	56	817 41 13-12	Screw, Hex Washer Head #13 x 3/4
22	532 14 18-41	Screw, Panhead, Torx #20	57	532 15 53-77	Nut, Hex 3/8-16
24	532 41 99-48	Spring, Rear Door, RH, Gray	58	532 42 60-72	Lower Handle
25	532 40 91-49	Nut, Hex, Flanged	59	532 19 15-74	Handle Bolt
26	532 41 99-45	Screw, Door/Handle Pivot	62	532 43 50-59	Belt Keeper
27	532 43 35-91	Wheel & Tire Assembly, Rear	64	- - -	Engine, Honda, Model Number GCV190-S3H2-ED (order parts from Engine manufacturer)
28	872 25 05-05	Bolt, Carriage 5/16-18 x 5/8	65	532 19 74-80	O-Ring
30	532 41 38-08	Nut, Push	68	532 43 11-36	Kit, Wheel Adjuster, Rear, LH (Includes Black Knob and Pushnut)
31	532 42 61-89	Selector Knob	70	532 18 27-48	Foam Grip
32	532 44 11-92	Latch, Mulcher Door	84	532 42 81-24	Fastener, Push
33	532 43 26-42	Mulcher Door	96	532 19 79-91	Clip, Cable
34	532 42 60-64	Pivot Bracket	- -	532 43 22-09	Operator's Manual, European
35	532 43 11-33	Kit, Wheel Adjuster, Rear, RH (Includes Black Knob and Pushnut)	- -	532 43 22-11	Operator's Manual, Scandinavian
36	532 17 57-35	Hinge Bracket Assembly	- -	532 43 22-10	Operator's Manual, East Bloc
38	532 42 61-29	Discharge Deflector	- -	532 43 22-12	Operator's Manual, Baltic

NOTE: All component dimensions given in U.S. inches. 1 inch = 25.4 mm

IMPORTANT: Use only Original Equipment Manufacturer (O.E.M.) replacement parts. Failure to do so could be hazardous, damage your lawn mower and void your warranty.

ROTARY LAWN MOWER -- MODEL NUMBER EDITION XXL (96141023002) PRODUCT NO. 961 41 02-30



ROTARY LAWN MOWER - - MODEL NUMBER EDITION XXL (96141023002) PRODUCT NO. 961 41 02-30

KEY PART NO.	KEY PART NO.	DESCRIPTION	KEY PART NO.	DESCRIPTION
1	532 43 57-06	Drive Control Assembly (Includes Cable)	29	Locknut, Hex
20	532 18 16-98	Screw, Torx Head #8 x 5/8	32	Drive Pulley
8	532 17 88-48	Screw #10-16 x 5/8	33	V-Belt
9	532 43 16-49	Cable, Drive Control	35	Kit, Wheel Adjuster, Front, LH (Includes Black Knob and Pushnut)
10	532 43 27-90	Bracket, Drive Control	36	Gear Case Assembly, Complete
11	532 18 07-69	Wheel & Tire Assembly, Front	38	Locknut, Hex 1/4-20
12	812 00 00-58	E-Ring	40	Spring
13	532 40 38-49	Pinion	41	Kit, Wheel Adjuster, Front, RH (Includes Black Knob and Pushnut)
14	532 18 94-03	Dust Cover	54	Grassbag
15	532 40 48-45	Pawl, Drive	56	Hubcap
16	532 06 77-25	Washer, Flat 3/8	57	Frame, Grassbag
17	532 41 38-08	Nut, Push	80	Water Washout Assembly
18	532 42 61-88	Selector Knob	81	Fitting, Hose, Water Washout
25	532 43 17-11	Belt Guide Bracket	82	Washer, Lock, Internal Tooth
26	532 16 34-09	Screw, Hi-Lo Thread #12 x 5/8	83	Locknut, Hex, with O-Ring
28	532 43 26-74	Drive Cover Assembly (Includes Mounting Screw and Pushnut)	84	Adapter, Hose
			85	Adapter, Quick-Connect Coupler

NOTE: All component dimensions given in U.S. inches. 1 inch = 25.4 mm

IMPORTANT: Use only Original Equipment Manufacturer (O.E.M.) replacement parts. Failure to do so could be hazardous, damage your lawn mower and void your warranty.