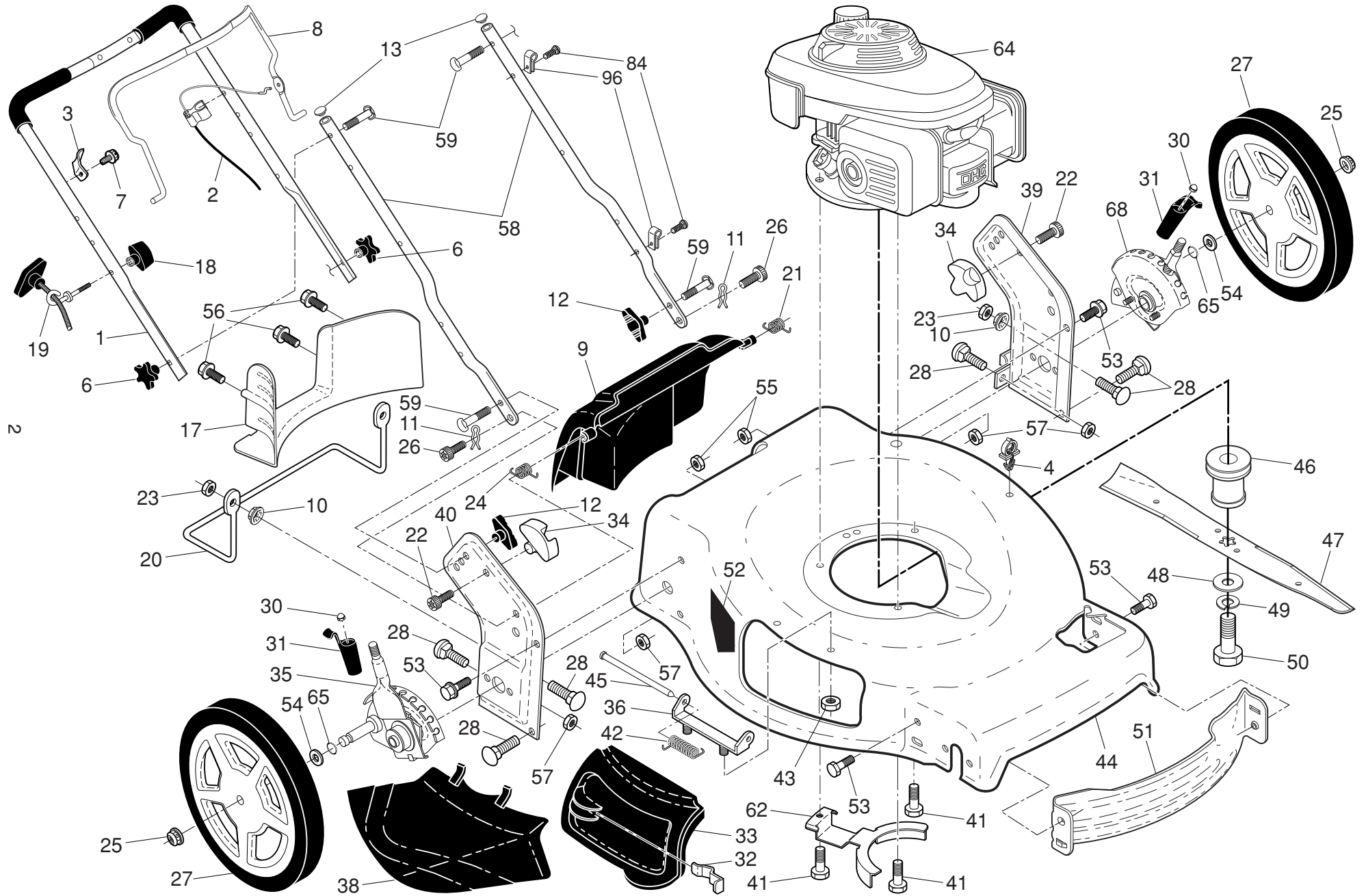


ILLUSTRATED PARTS LIST

MODEL NUMBER EDITION XXL
PRODUCT NUMBER 961 41 02-60
MFG. ID. NUMBER 96141026002

GARDOL ROTARY LAWN MOWER - MODEL NO. EDITION XXL (96141026002) PRODUCT NO. 961 41 02-60



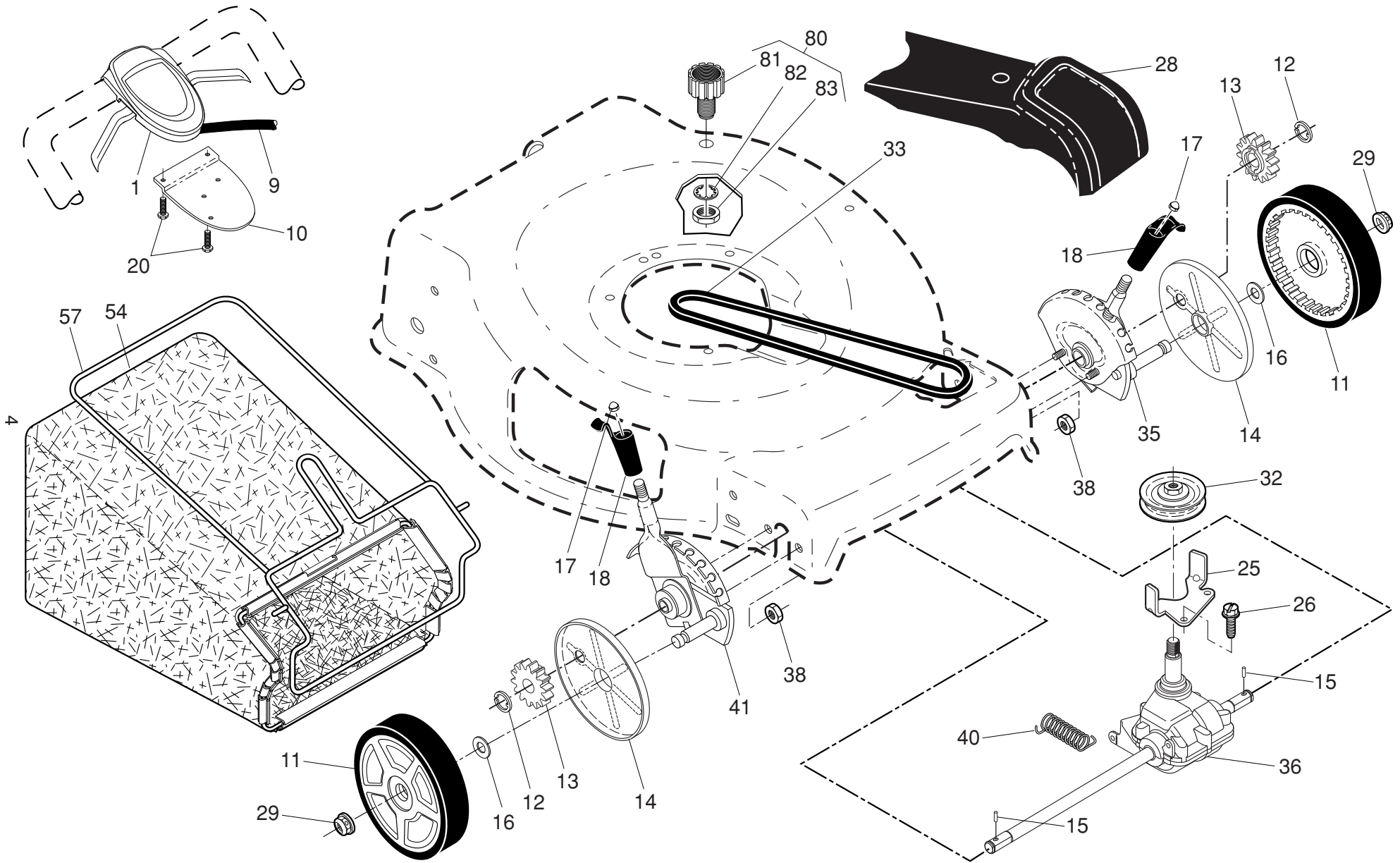
GARDOL ROTARY LAWN MOWER - MODEL NO. EDITION XXL (96141026002) PRODUCT NO. 961 41 02-60

KEY NO.	PART NO.	DESCRIPTION	KEY NO.	PART NO.	DESCRIPTION
1	580 63 87-09	Upper Handle Assembly (Includes Foam Grip)	36	532 17 57-35	Hinge Bracket Assembly
2	532 41 53-50	Cable, Engine Zone Control	38	532 42 61-29	Discharge Deflector
3	532 43 00-34	Upstop Bracket	39	581 35 37-03	Handle Bracket, LH
4	532 14 50 06	Guide, Cable	40	581 35 36-03	Handle Bracket, RH
5	532 06 64 26	Wire Tie	41	532 15 04-06	Screw, Dogpoint 3/8-16 x 1-1/8
6	532 18 23-98	Handle Knob, Star	42	532 19 30-00	Spring, Torsion
7	532 17 88-48	Screw, Hex Washer Head #10-16 x 5/8	43	532 19 17-30	Nut, Hex, Nylock
8	532 42 65-05	Control Bar	44	532 43 17-79	Kit, Lawn Mower Housing
9	532 42 63-00	Rear Door Assembly	45	532 17 56-50	Rod, Hinge
10	532 42 30-63	Palnut 5/16"	46	581 47 33-01	Blade Adapter / Pulley
11	532 42 55-75	Hairpin, Door/Handle Pivot	47	580 24 40-01	Blade, 22"
12	532 19 19-38	Handle Knob, Standard	48	532 85 10-74	Washer, Hardened
13	532 43 75-16	Plug, Handle Bar	49	532 85 02-63	Washer, Helical
17	532 42 73-07	Rear Baffle	50	532 85 10-84	Screw, Machine, Hex Head 3/8-24 x 1-3/8 Grade 8
18	581 91 26-01	T-Knob	51	532 43 05-99	Front Baffle
19	581 90 21-01	Rope Guide	52	532 18 21-66	Decal, Danger
20	532 42 24-67	Foot Guard	53	817 00 05-10	Screw
21	532 41 99-49	Spring, Rear Door, LH, Black	54	532 08 83-48	Washer, Flat
22	532 14 18-41	Screw, Panhead, Torx #20	55	532 19 17-30	Nut, Hex, Flanged 1/4-20
23	873 97 05-00	Nut, Hex	56	817 41 13-12	Screw, Hex Washer Head #13 x 3/4
24	532 41 99-48	Spring, Rear Door, RH, Gray	57	532 15 53-77	Nut, Hex 3/8-16
25	532 40 91-49	Nut, Hex, Flanged	58	532 44 11-96	Bar, Lower Handle
26	532 41 99-45	Screw, Door/Handle Pivot	59	532 19 15-74	Handle Bolt
27	581 01 03-02	Wheel & Tire Assembly, Rear	62	532 43 50-59	Belt Keeper
28	872 25 05-05	Bolt, Carriage 5/16-18 x 5/8	64	- - -	Engine, Honda, Model Number GCV190-AS3HE (order parts from Honda Engines)
30	532 41 38-08	Nut, Push	65	532 19 74-80	O-Ring
31	532 42 61-89	Selector Knob	68	532 43 11-36	Kit, Wheel Adjuster, Rear, LH (Includes Black Knob and Pushnut)
32	532 44 11-92	Latch, Mulcher Door	84	532 42 81-24	Fastener, Push
33	532 43 26-42	Mulcher Door	96	532 19 79-91	Clip, Cable
34	532 42 60-64	Pivot Bracket	- -	115 64 39-20	Operator's Manual, European
35	532 43 11-33	Kit, Wheel Adjuster, Rear, RH (Includes Black Knob and Pushnut)	- -	115 64 39-10	Operator's Manual, Scandinavian
			- -	115 64 39-50	Operator's Manual, East Bloc
			- -	115 64 39-40	Operator's Manual, Baltic

NOTE: All component dimensions given in U.S. inches. 1 inch = 25.4 mm

IMPORTANT: Use only Original Equipment Manufacturer (O.E.M.) replacement parts. Failure to do so could be hazardous, damage your lawn mower and void your warranty.

GARDOL ROTARY LAWN MOWER - MODEL NO. EDITION XXL (96141026002) PRODUCT NO. 961 41 02-60



GARDOL ROTARY LAWN MOWER - MODEL NO. EDITION XXL (96141026002) PRODUCT NO. 961 41 02-60

KEY NO.	PART NO.	DESCRIPTION	KEY NO.	PART NO.	DESCRIPTION
1	579 70 89-09	Drive Control Assembly (Includes Cable)	32	532 44 32-62	Drive Pulley
9	532 43 16-49	Cable, Drive Control	33	532 42 66-09	V-Belt
10	532 43 27-90	Bracket, Drive Control	35	532 43 11-25	Kit, Wheel Adjuster, Front, LH (Includes Black Knob and Pushnut)
11	581 00 92-02	Wheel & Tire Assembly, Front	36	532 42 47-41	Gearcase Assembly, Complete
12	812 00 00-58	E-Ring	38	532 19 17-30	Locknut, Hex 1/4-20
13	532 40 38-49	Pinion	40	532 40 65-58	Spring
14	581 84 04-01	Dust Cover	41	532 43 11-22	Kit, Wheel Adjuster, Front, RH (Includes Black Knob and Pushnut)
15	532 40 48-45	Pawl, Drive	54	580 94 73-02	Grassbag
16	532 06 77-25	Washer, Flat 3/8	57	532 41 99-51	Frame, Grassbag
17	532 41 38-08	Nut, Push	80	532 42 11-14	Water Washout Assembly
18	532 42 61-88	Selector Knob	81	532 41 97-35	Fitting, Hose, Water Washout
20	532 18 16-98	Screw, Torx Head #8 x 5/8	82	532 41 55-85	Washer, Lock, Internal Tooth
25	532 43 17-11	Belt Guide Bracket	83	532 41 55-86	Locknut, Hex, with O-Ring
26	532 16 34-09	Screw, Hi-Lo Thread #12 x 5/8			
28	580 28 99-01	Drive Cover Assembly (Includes Mounting Screw and Pushnut)			
29	532 40 91-49	Locknut, Hex			

NOTE: All component dimensions given in U.S. inches. 1 inch = 25.4 mm

IMPORTANT: Use only Original Equipment Manufacturer (O.E.M.) replacement parts. Failure to do so could be hazardous, damage your lawn mower and void your warranty.