

STIGA

SBC 500 AE (2021)

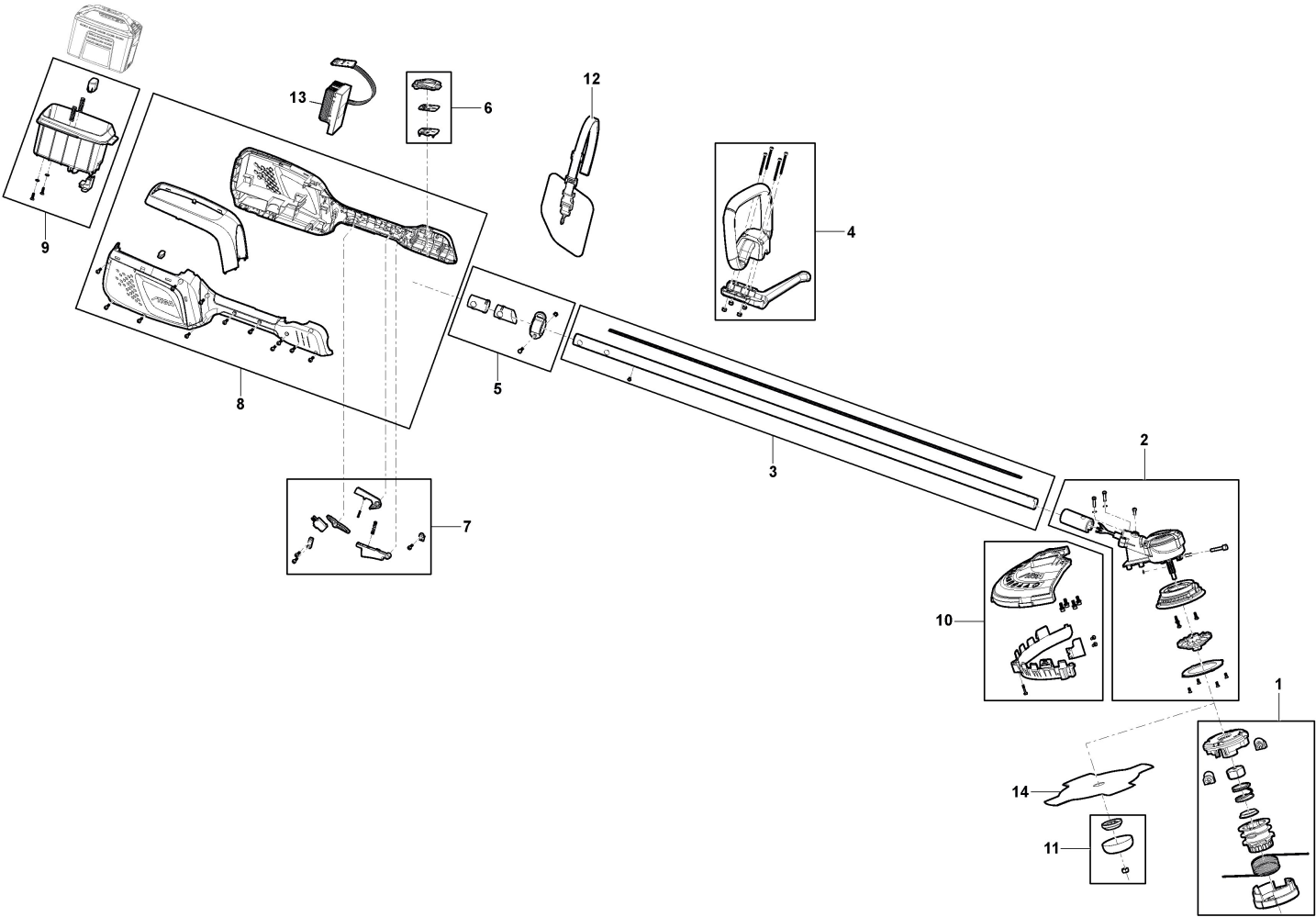
278200008/ST2

Spare parts list
Reservdelar
Repuestos
Ersatzteile
Pièces détachées
Reserve onderdelen
Catalogo ricambi



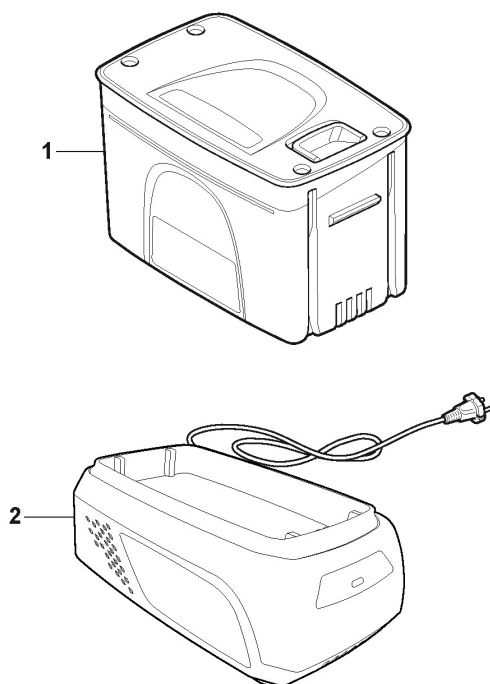
- Use ST. S.p.A. Genuine Spare Parts specified in the parts list for repair and/or replacement.
- The contents described in the parts list may change due to improvement.
- The drawings of the spare parts are only indicative And might Not represent the part in question exactly.
- The indications "right" - "left" - "front" - "rear" refer to the position of the operator when using the machine.
- When placing orders of parts for repair And/Or replacement, make sure that the illustrated parts list Is the one applying to the machine's year of manufacture, as shown on the identification plate attached to the machine.

All rights reserved. No part Of this material may be reproduced Or transmitted, in any form Or by any means, electronic Or mechanical, including photocopying, recording Or by any information storage And retrieval system, without permission in writing from ST. S.p.A.



HH Brushcutter Battery

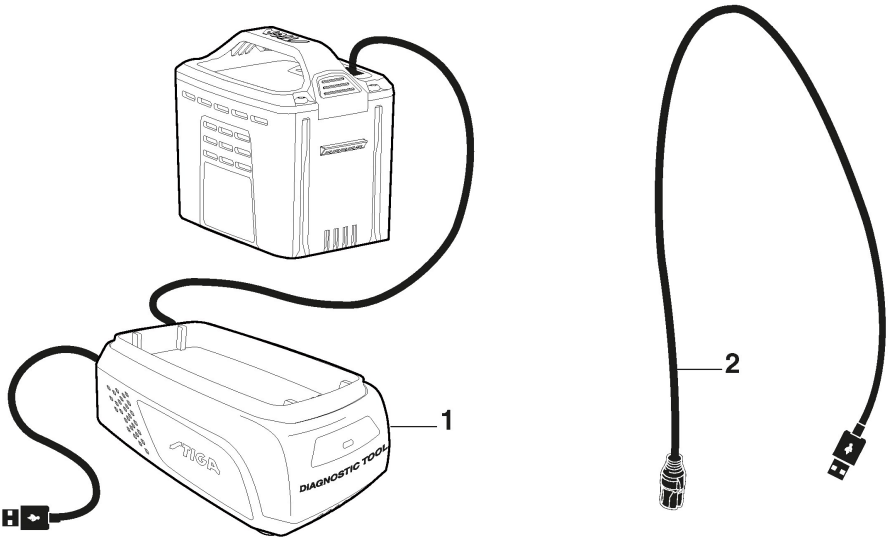
Ref.nr.	Antal	Komponentkode	Beskrivelse	Noter	From	Op til
1	1	1911-9299-01	Line Cutter Head			
2	1	118810786/0	Electric Motor kit			
3	1	118810783/0	Transmission Tube Assy			
4	1	118810784/0	Auxiliary Handle Kit			
5	1	118810782/0	Handle Fixing Kit			
6	1	118810781/0	Switch Cover Kit			
7	1	118810780/0	Commands-Levers Kit			
8	1	118810779/0	Housing Kit, Grey-Yellow			
9	1	118810778/0	Battery Housing Kit			
10	1	118810787/0	Stoneguard Kit			
11	1	118810788/0	Blade Fixing Kit			
12	1	118810807/0	Harness			
13	1	118810808/0	PCB Board			
14	1	1911-9264-01	4T-KLINGE			



Please Note: These images are for illustrative purposes only.
For more info see descriptions.

Battery

Ref.nr.	Antal	Komponentkode	Beskrivelse	Noter	From	Op til
1	1	277014008/ST1	E 440	48V - 4Ah		
2	1	277020008/ST1	EC 415 S			
2	1	277020208/ST1	EC 415 D			
2	1	277021008/ST1	EC 415 SU			
2	1	277021208/ST1	EC 415 DU			
2	1	277030008/ST1	EC 430 F			
2	1	277031008/ST1	EC 430 FU			



Diagnostic Tool

Ref.nr.	Antal	Komponentkode	Beskrivelse	Noter	From	Op til
1	1	118810754/0	Diagnostic Tool 48V			
2	1	118811363/0	Cable			