

# STIGA

## SHT 500 AE Kit (2021)

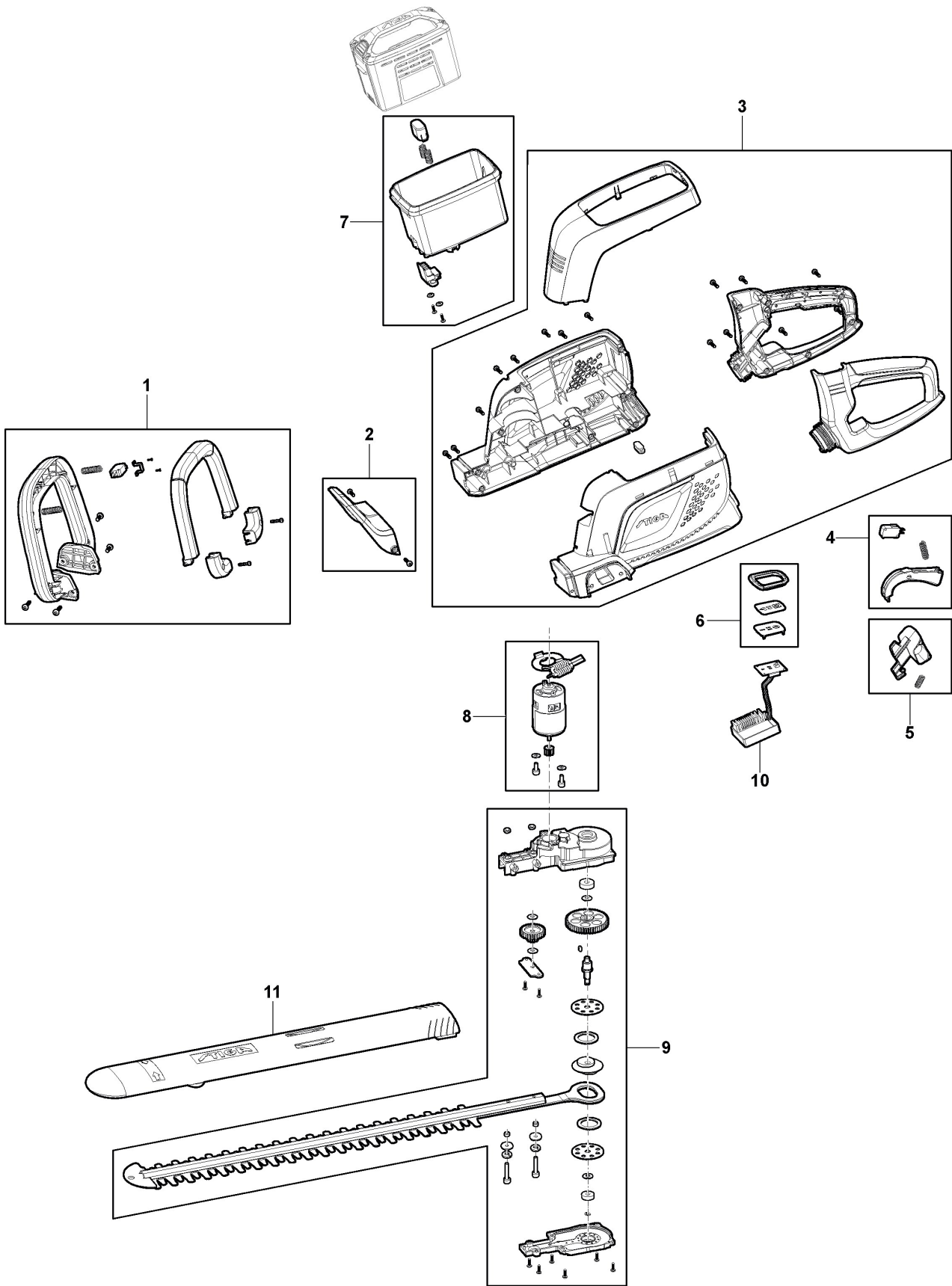
278302108/ST2



### Spare parts list Reservdelar Repuestos Ersatzteile Pièces détachées Reserve onderdelen Catalogo ricambi

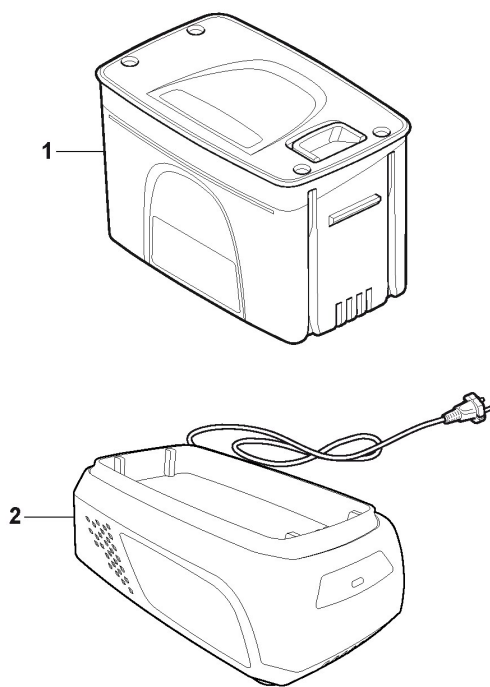
- Use ST. S.p.A. Genuine Spare Parts specified in the parts list for repair and/or replacement.
- The contents described in the parts list may change due to improvement.
- The drawings of the spare parts are only indicative And might Not represent the part in question exactly.
- The indications "right" - "left" - "front" - "rear" refer to the position of the operator when using the machine.
- When placing orders of parts for repair And/Or replacement, make sure that the illustrated parts list Is the one applying to the machine's year of manufacture, as shown on the identification plate attached to the machine.

All rights reserved. No part Of this material may be reproduced Or transmitted, in any form Or by any means, electronic Or mechanical, including photocopying, recording Or by any information storage And retrieval system, without permission in writing from ST. S.p.A.



## Battery hedge trimmer

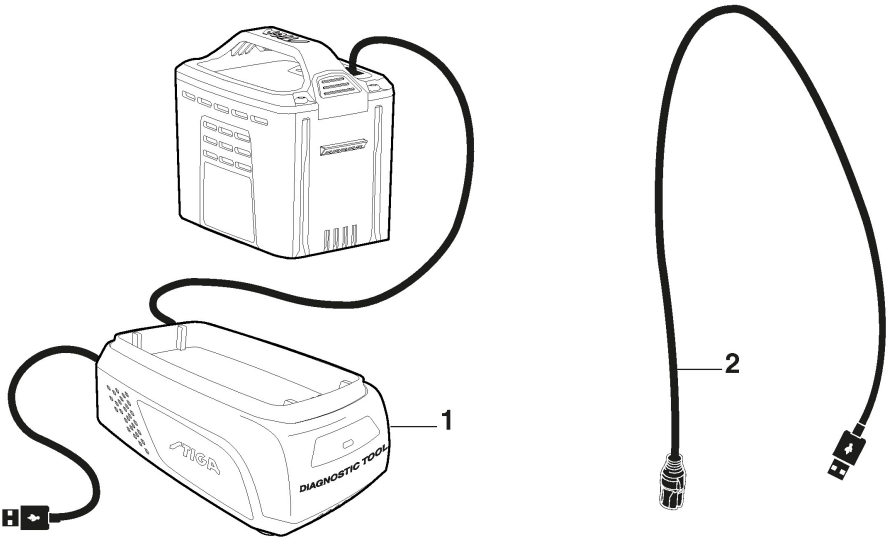
Ref.nr.	Antal	Komponentkode	Beskrivelse	Noter	From	Op til
1	1	118810799/0	Front Handle Kit			
2	1	118810800/0	Hand guard kit			
3	1	118810802/0	Housing Kit, Grey-Yellow			
4	1	118810803/0	Switch-Lever kit			
5	1	118810804/0	Rotating button kit			
6	1	118810805/0	Switch Cover Kit			
7	1	118810806/0	Battery Housing Kit			
8	1	118810816/0	Electric Motor kit			
9	1	118810817/0	Gear Case-Blade Assy			
10	1	118810812/0	PCB Board			
11	1	118810813/0	Blade Cover			



Please Note: These images are for illustrative purposes only.  
For more info see descriptions.

## Battery

Ref.nr.	Antal	Komponentkode	Beskrivelse	Noter	From	Op til
1	1	277012008/ST1	E 420	48V - 2Ah		
2	1	277020008/ST1	EC 415 S			
2	1	277020208/ST1	EC 415 D			
2	1	277021008/ST1	EC 415 SU			
2	1	277021208/ST1	EC 415 DU			
2	1	277030008/ST1	EC 430 F			
2	1	277031008/ST1	EC 430 FU			



## Diagnostic Tool

Ref.nr.	Antal	Komponentkode	Beskrivelse	Noter	From	Op til
1	1	118810754/0	Diagnostic Tool 48V			
2	1	118811363/0	Cable			