

# STIGA

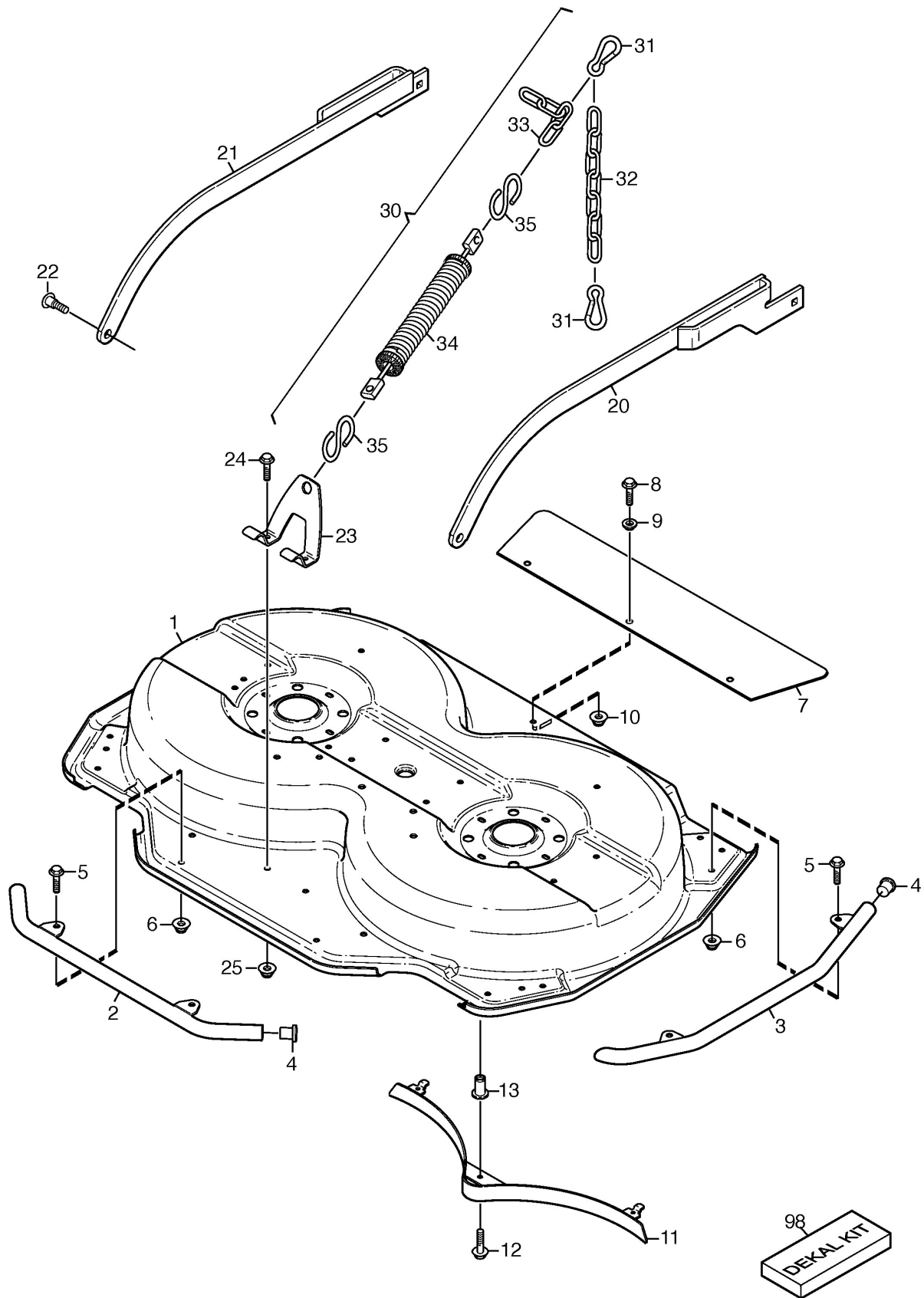
## DECK PARK 105 C /2+4WD (ANSI) (2010)

13-2972-34

### Spare parts list Reservdelar Repuestos Ersatzteile Pièces détachées Reserve onderdelen Catalogo ricambi

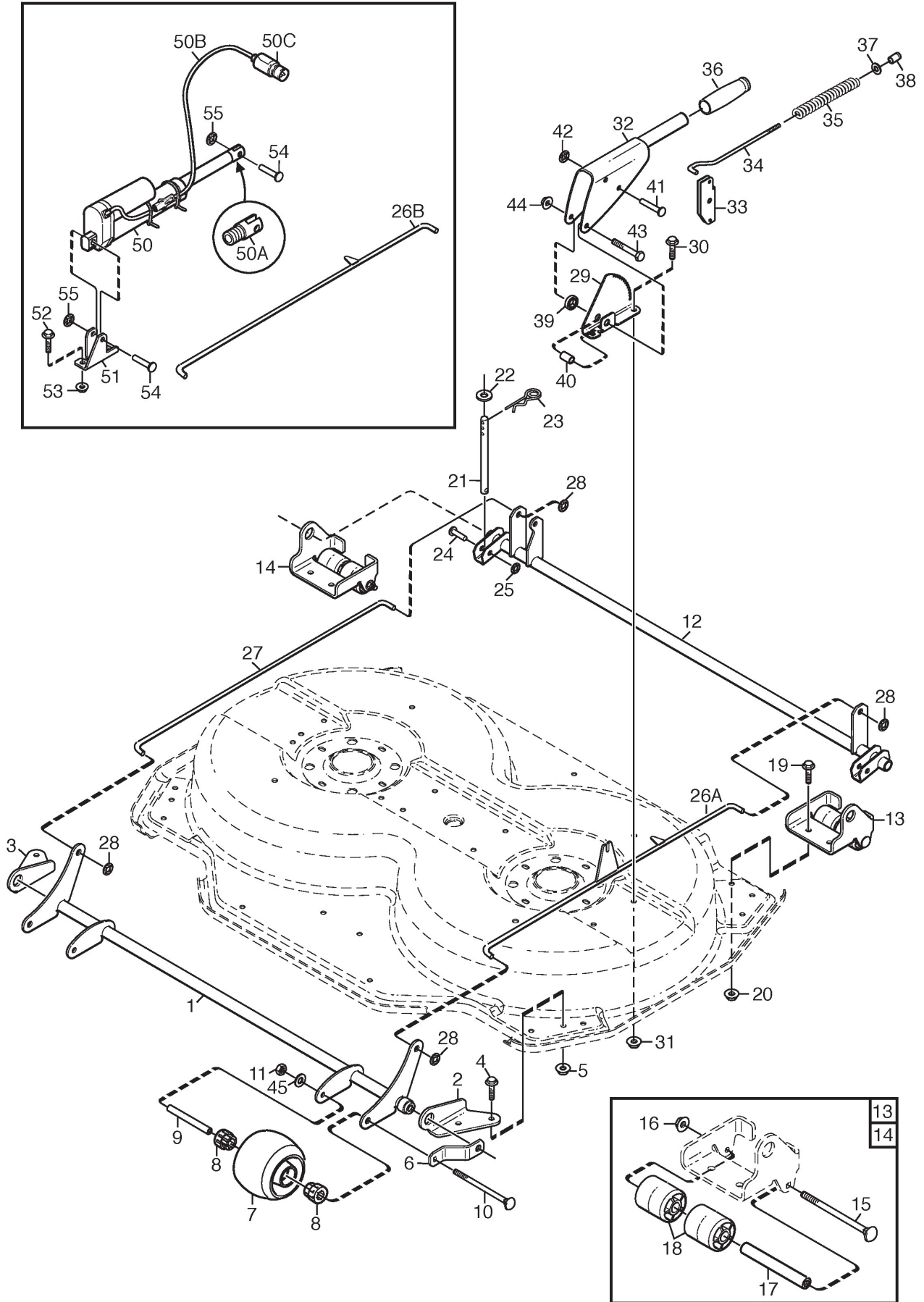
- Use ST. S.p.A. Genuine Spare Parts specified in the parts list for repair and/or replacement.
- The contents described in the parts list may change due to improvement.
- The drawings of the spare parts are only indicative And might Not represent the part in question exactly.
- The indications "right" - "left" - "front" - "rear" refer to the position of the operator when using the machine.
- When placing orders of parts for repair And/Or replacement, make sure that the illustrated parts list Is the one applying to the machine's year of manufacture, as shown on the identification plate attached to the machine.

All rights reserved. No part Of this material may be reproduced Or transmitted, in any form Or by any means, electronic Or mechanical, including photocopying, recording Or by any information storage And retrieval system, without permission in writing from ST. S.p.A.



# Frame

Ref.nr.	Antal	Komponentkode	Beskrivelse	Noter	From	Op til
1	1	1134-6191-01	Casing-Yellow 105C	Inkl. pos 13 (3 st)		
2	1	1134-6208-01	Front Guard Tube-Grey			
3	2	1134-6223-01	Side Guard Tube-Grey 105C			
4	4	9403-0025-80	End Plug, Grey			
5	6	9959-0816-16	Screw			
6	6	9739-0831-22	Nut			
7	1	1134-6281-03	Rubber Guard			
8	3	9959-0816-16	Screw			
9	3	1134-4185-01	Flange Washer			
10	3	9739-0831-22	Nut			
11	1	1134-6231-01	Mulch Plug 105C			
12	1	9959-0816-16	Screw			
13	3	1134-5595-01	Nut			
20	1	1134-6237-01	Grey Mower Deck Arm, Left			
21	1	1134-6237-02	Grey Mower Deck Arm, Right			
22	2	1134-6279-01	Shoulder Bolt			
23	1	1134-6315-01	Lift Bracket-Grey			
24	2	9959-0816-16	Screw			
25	2	9739-0831-22	Nut			
30	1	1134-6362-01	Lift Spring Assy	Inkl. pos 31 - 35		
31	2	1134-5528-01	Snap Hook			
32	1	1134-6368-02	Chain	7 links		
33	1	1134-6368-01	Chain	4 links		
34	1	1134-6365-03	Spring			
35	2	1134-4623-01	S-Hook			
98	1	1134-5594-02	Label			
99	1	8211-7000-90	Owner's Manual	Ej ill/not ill.		
99	1	8211-7007-10	Instruction Manual	Ej ill/not ill.		
99	1	8211-7007-90	Owner's Manual	Ej ill/not ill.		



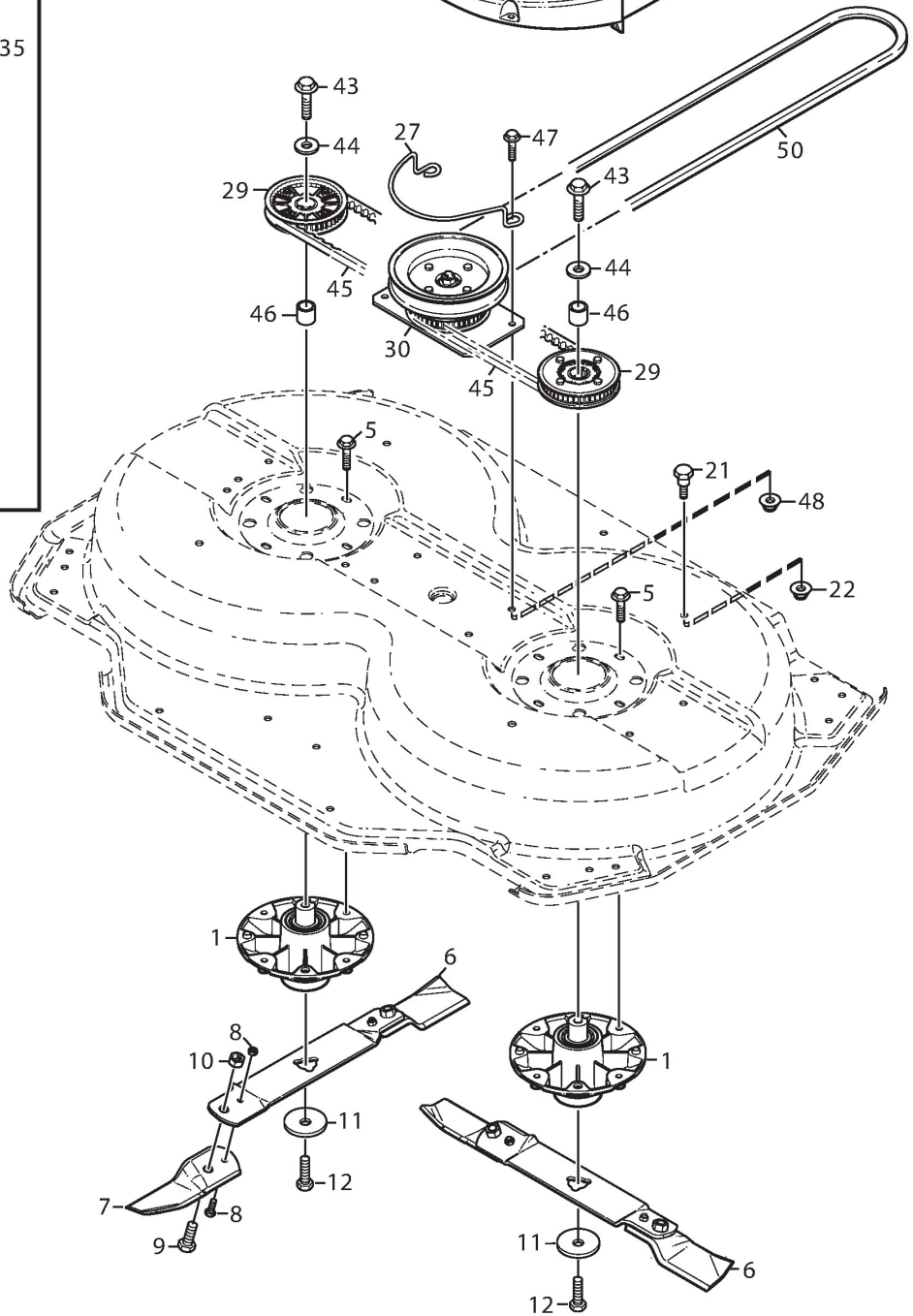
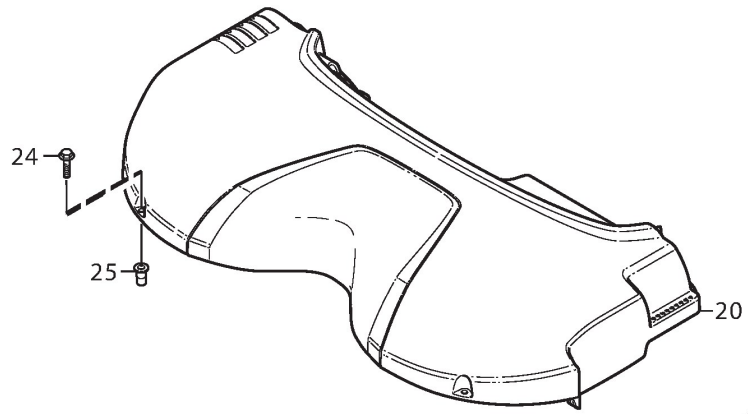
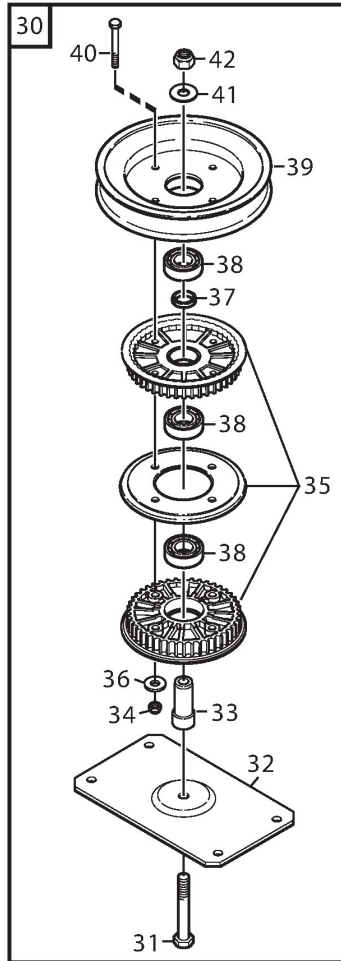
## Controls

Ref.nr.	Antal	Komponentkode	Beskrivelse	Noter	From	Op til
1	1	1134-6275-01	Front Axle-Yellow			
2	1	1134-6215-01	Bracket Front-Lh (Yellow)			
3	1	1134-6215-02	Bracket Front-Rh (Yellow)			
4	4	9959-0816-16	Screw			
5	4	9739-0831-22	Nut			
6	2	1134-6278-01	Guide-Grey			
7	2	1134-4284-01	Wheel			
8	4	1134-4319-01	Bearing			
9	2	1134-4318-01	Wheel Axle			
10	2	9897-0813-02	Screw			
11	2	9747-0831-02	Lock Nut			
12	1	1134-6197-01	Rear Axle-Yellow			
13	1	1134-6282-01	Roller-Lh W.Bracket	Inkl. pos 15 - 18		
14	1	1134-6282-02	Roller-Rh W.Bracket	Inkl. pos 15 - 18		
15	1	9897-0813-02	Screw			
16	1	9739-0831-22	Nut			
17	1	1134-4318-01	Wheel Axle			
18	1	1134-9126-01	Support Rollers	Sats 2 st/kit of 2		
19	4	9959-0816-16	Screw			
20	4	9739-0831-22	Nut			
21	2	1134-6198-01	Stud			
22	2	9699-0104-02	Washer			
23	2	9598-2001-02	Spring Pin			
24	2	9646-0098-22	Rivet			
25	2	9675-0012-02	Locking washer			
26	1	1134-6249-01	Push Rod, Left	Manual		
27	1	1134-6246-01	Push Rod, Right			
28	4	9675-0015-02	Starlock			
29	1	1137-0259-01	Height Adjust Quadrant	Manual		
30	2	9959-0816-16	Screw	Manual		
31	2	9739-0831-22	Nut	Manual		
32	1	1134-6244-01	Height Adjust Lever-Grey	Manual		
33	1	1134-6254-01	Catch Assy	Manual		
34	1	1134-5444-01	Push Rod	Manual		
35	1	1134-5445-01	Spring	Manual		
36	1	1134-5503-01	Handle	Manual		
37	1	9699-0087-02	Washer	Manual		
38	1	1134-3051-01	Locking Knob	Manual		
39	1	1134-6286-03	Spacer	Manual		
40	1	1134-1565-16	Spacer	Manual		
41	2	9646-0105-22	Rivet	Manual		
42	2	9672-0006-02	Lock washer	Manual		
43	1	9997-0850-16	Screw	Manual		
44	1	9747-0831-02	Lock Nut			
45	2	9699-0028-02	Washer			
50	1	1134-6182-01	Male Terminal	Electric - 50C		
50	1	1134-6373-01	Rod End	Electric - 50A		
50	1	1134-6417-01	Electric Lifter	Electric, pos 50A-50C incl.		



## Controls

Ref.nr.	Antal	Komponentkode	Beskrivelse	Noter	From	Op til
50	1	1134-6418-02	Cable	L = 485 mm - 50B		
51	1	1134-6192-01	Bracket	Electric		
52	2	9959-0816-16	Screw	Electric		
53	2	9739-0831-22	Nut	Electric		
54	2	9646-0098-22	Rivet	Electric		
55	2	9675-0012-02	Locking washer	Electric		





# Transmission

Ref.nr.	Antal	Komponentkode	Beskrivelse	Noter	From	Op til
1	2	1134-5831-01	Bearing Box Assy			
5	8	9945-0825-16	Screw			
6	1	1134-9118-01	Blade Bar Assy (105C)	Sats 2 st/kit of 2		
7	1	1134-9119-01	Blade Kit Assy	2 knivar/2 blade tips		
8	1	1134-9054-01	Shear Bolt Kit			
9	2	1134-6311-01	Bolt	7/16" UNF		
10	2	1134-6312-01	Nut	7/16" UNF		
11	2	1134-6211-01	Washer			
12	2	9997-1060-12	Screw			
20	1	1134-6280-01	Transmission Cover-Grey			
21	2	1134-0240-01	Shoulder screw			
22	2	9739-0831-22	Nut			
24	2	9945-0825-16	Screw			
25	2	1134-5595-01	Nut			
27	1	1134-6431-01	Belt Guide			
29	1	1134-9127-01	Toothed Belt Pulley	Sats 2 st/kit of 2		
30	1	1137-0116-02	Toothed Pulley Assy (P105C)	Inkl. pos 31 - 42		
31	1	9997-1070-12	Screw			
32	1	1134-6209-01	Bracket			
33	1	1134-6205-02	Shaft			
34	4	9747-0631-02	Lock Nut			
35	1	1134-9128-02	Toothed Belt Pulley			
36	4	9699-0060-02	Washer			
37	1	1134-3725-06	Spacer	H = 1.5 mm		
38	3	9549-0019-00	Ball Bearing			
39	1	1137-0118-01	Pulley	Ø = 168 mm		
40	4	9997-0650-12	Screw			
41	1	9699-0030-02	Washer			
42	1	9731-1031-22	Nut			
43	2	9997-1060-12	Screw			
44	2	1134-5406-01	Washer			
45	2	9585-0165-01	Toothed Belt			
46	2	1134-5400-04	Spacer			
47	4	9959-0820-16	Screw			
48	4	9739-0831-22	Nut			
50	1	1134-9113-01	Drive Belt	9585-0172-01 4WD (polyester)		
50	1	1134-9115-01	Drive Belt	9585-0170-01 2WD (polyester)		
50	1	1134-9149-01	V-Belt	9585-0199-01 4WD (kevlar)		
50	1	1134-9150-01	V-Belt	9585-0200-01 2WD (kevlar)		