

# STIGA

## MULTICLIP 50 (2010)

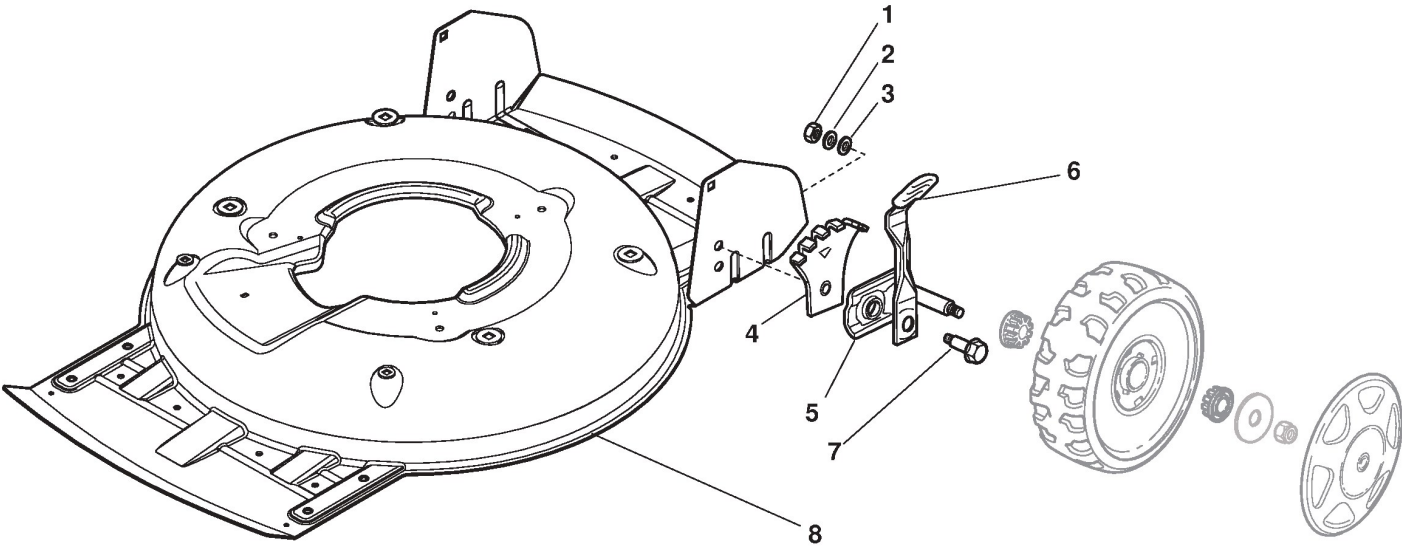
291501044/ST9

### Spare parts list Reservdelar Repuestos Ersatzteile Pièces détachées Reserve onderdelen Catalogo ricambi



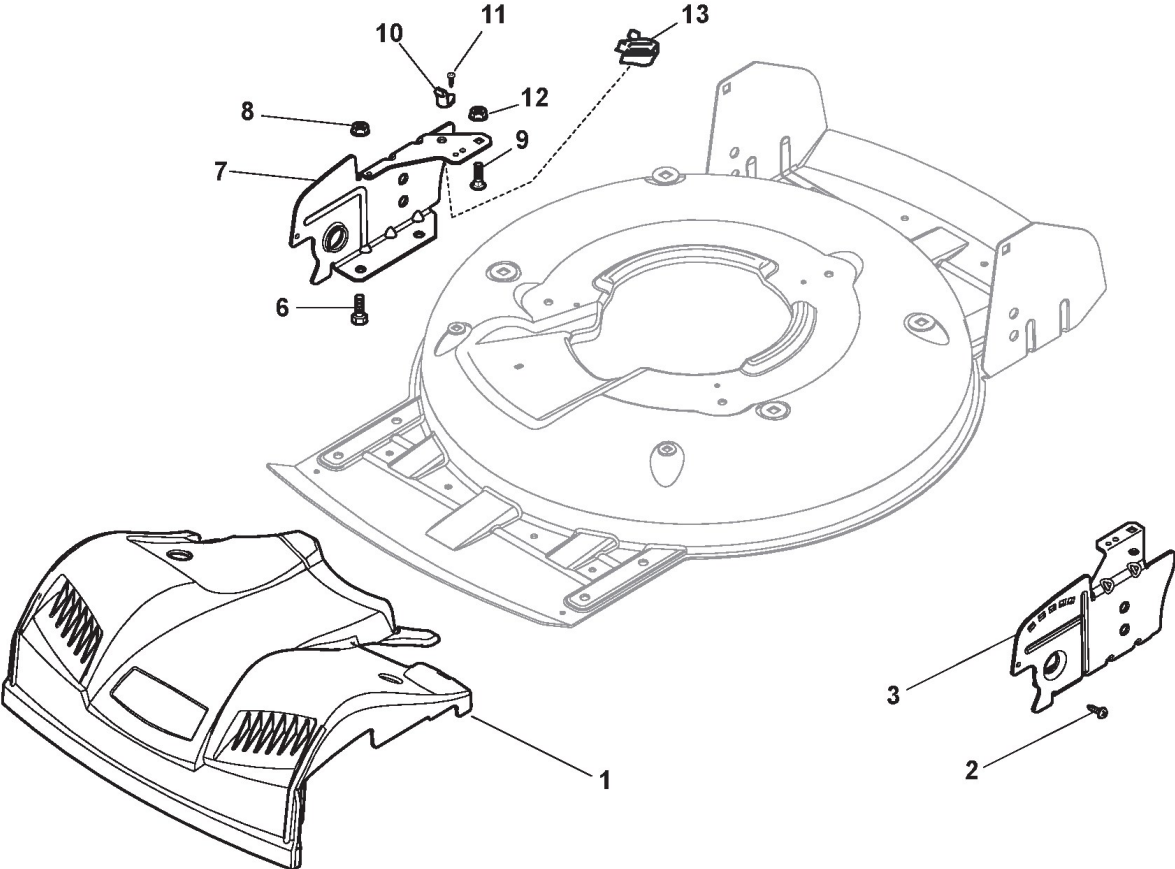
- Use ST. S.p.A. Genuine Spare Parts specified in the parts list for repair and/or replacement.
- The contents described in the parts list may change due to improvement.
- The drawings of the spare parts are only indicative And might Not represent the part in question exactly.
- The indications "right" - "left" - "front" - "rear" refer to the position of the operator when using the machine.
- When placing orders of parts for repair And/Or replacement, make sure that the illustrated parts list Is the one applying to the machine's year of manufacture, as shown on the identification plate attached to the machine.

All rights reserved. No part Of this material may be reproduced Or transmitted, in any form Or by any means, electronic Or mechanical, including photocopying, recording Or by any information storage And retrieval system, without permission in writing from ST. S.p.A.



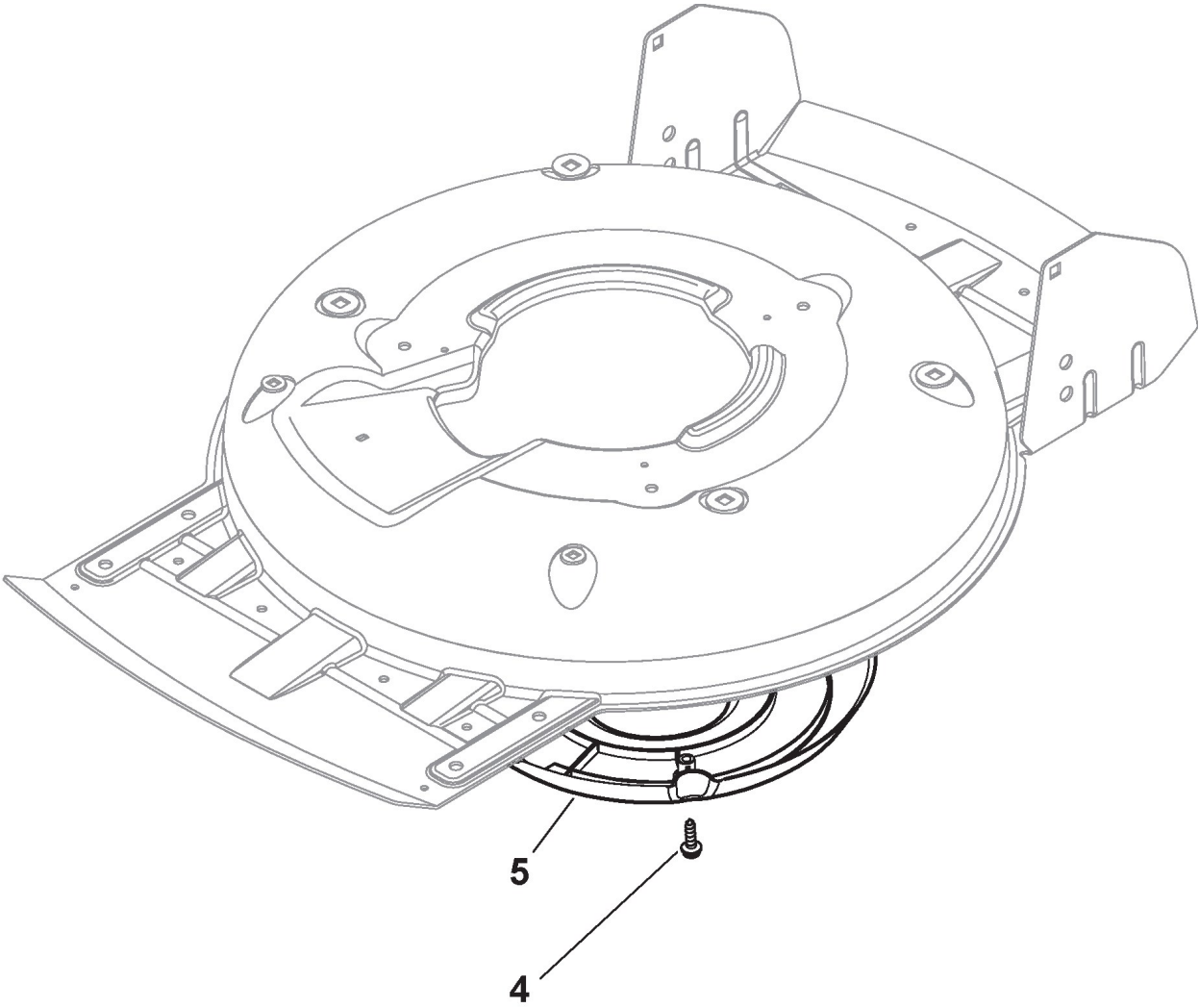
## Deck And Height Adjusting

Ref.nr.	Antal	Komponentkode	Beskrivelse	Noter	From	Op til
1	4	112293200/0	Nut			
2	4	112583500/0	Grower			
3	4	112523070/0	Washer			
4	4	322735547/0	Sector, Height Adjustment			
5	4	381005084/0	Wheel Support	To 31-august-2012		
5	4	381005175/0	Support, Wheel	From 01-september-2012 , To 31-May-2018		
5	4	381005175/1	Support, Wheel	From 01-June-2018		
6	4	481003286/0	Lever, Height Adjustment			
7	4	122519811/0	Pin			
8	1	381002907/1	Yellow Deck	To 31-august-2013		
8	1	381004734/0	Grey Deck	From 01-september-2013 To 31-august-2016		
8	1	381004734/1	Grey Deck	From 01-september-2016		



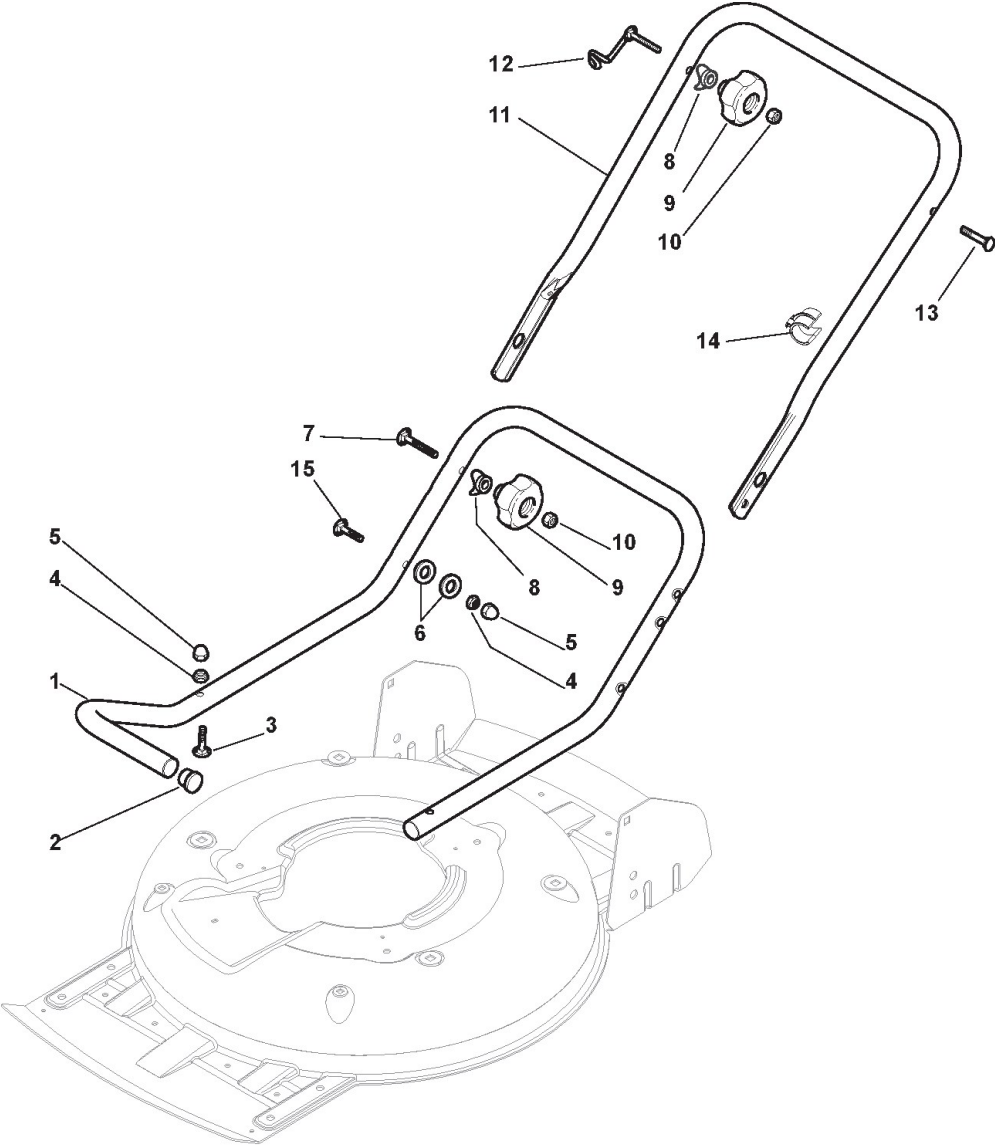
# Mask

Ref.nr.	Antal	Komponentkode	Beskrivelse	Noter	From	Op til
1	1	322226133/0	Mask, Black			
2	2	112728450/0	Screw			
3	1	322778421/0	Left Bracket			
6	4	112792611/0	Screw			
7	1	322778419/0	Right Bracket			
8	4	112293201/0	Nut			
9	2	112815200/0	Screw			
10	2	322020400/0	Fairlead			
11	2	112728523/0	Screw			
12	2	112292102/0	Nut			
13	1	133320506/0	Fairlead			



## Protection, Belt

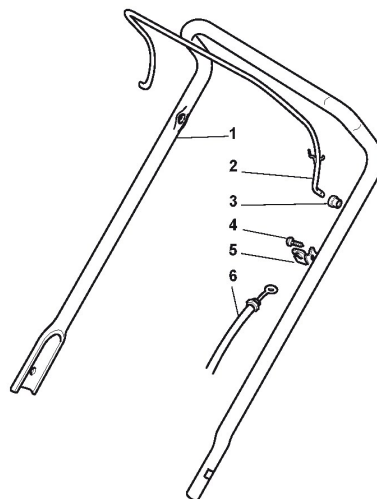
Ref.nr.	Antal	Komponentkode	Beskrivelse	Noter	From	Op til
4	3	112728530/0	Screw	To 31-august-2015		
4	3	112728531/0	Screw	From 01-september-2015		
5	1	322060220/0	Belt Protection			





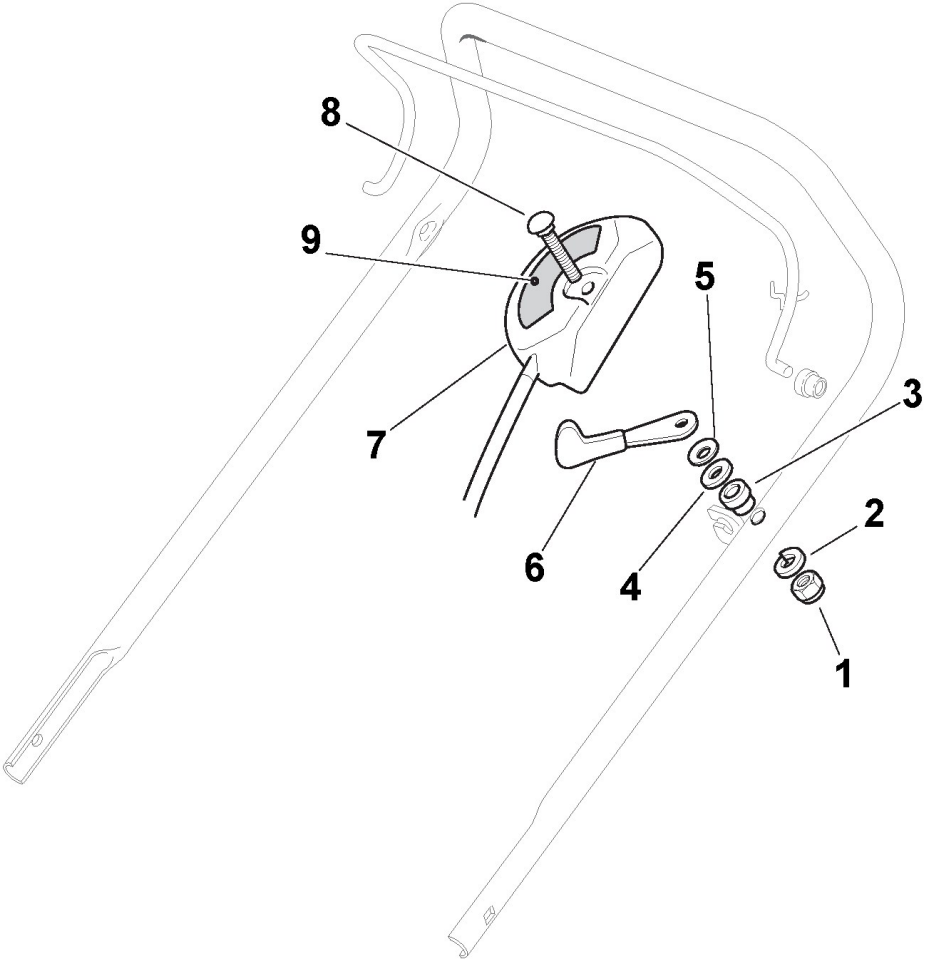
## Handle, Lower Part

Ref.nr.	Antal	Komponentkode	Beskrivelse	Noter	From	Op til
1	1	381006667/0	Handle Lower Part			
2	2	118566110/0	Push Rod			
3	4	112818900/0	Screw			
4	4	112155000/0	Nut			
5	4	118203854/0	Cap			
6	2	112819100/0	Screw	From 01-september-2013		
7	4	112819121/0	Screw	From 01-september-2015		
7	4	112819201/0	Screw	To 31-august-2015		
8	4	122671651/0	Washer	From 01-september-2012		
8	4	122680006/1	Washer	To 31-august-2013		
9	4	322399804/1	Knob			
10	4	112293200/0	Nut			
11	1	381006668/0	Handle Middle Part	To 31-august-2014		
11	1	381006668/1	Handle, Middle Part Black	From 01-september-2014		
12	1	122430313/0	Guide Spring	From 01-september-2012		
12	1	181003801/1	Guide Spring	To 31-august-2013		
13	1	112819201/0	Screw			
14	1	118390020/0	Conduit Clip			
15	2	112819100/0	Screw			



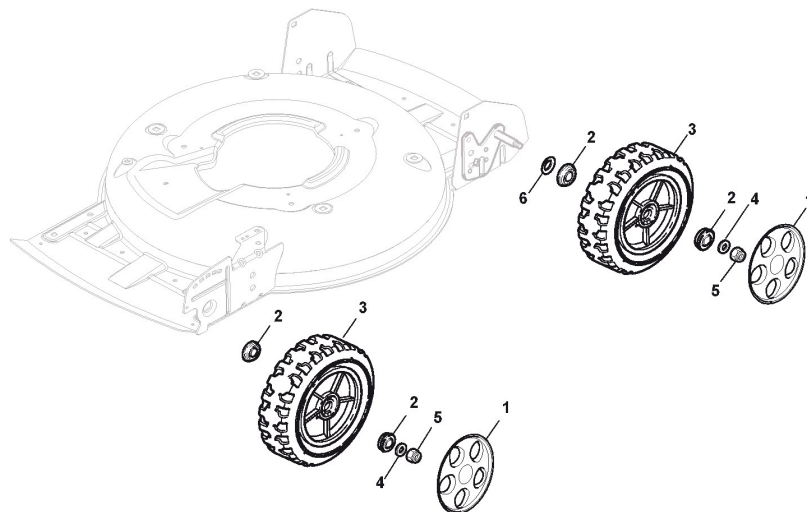
## Handle, Upper Part

Ref.nr.	Antal	Komponentkode	Beskrivelse	Noter	From	Op til
1	1	381007018/1	Handle, Upper Part			
2	1	181003291/2	Lever, Engine Brake	To 31-august-2006		
2	1	181003291/3	Lever, Engine Brake	From 01-september-2006		
3	2	122041966/0	Bushing			
4	1	112728518/0	Screw			
5	1	322806612/0	Support			
6	1	181000634/0	Cable, Thread Engine Brake	ST. Engine		



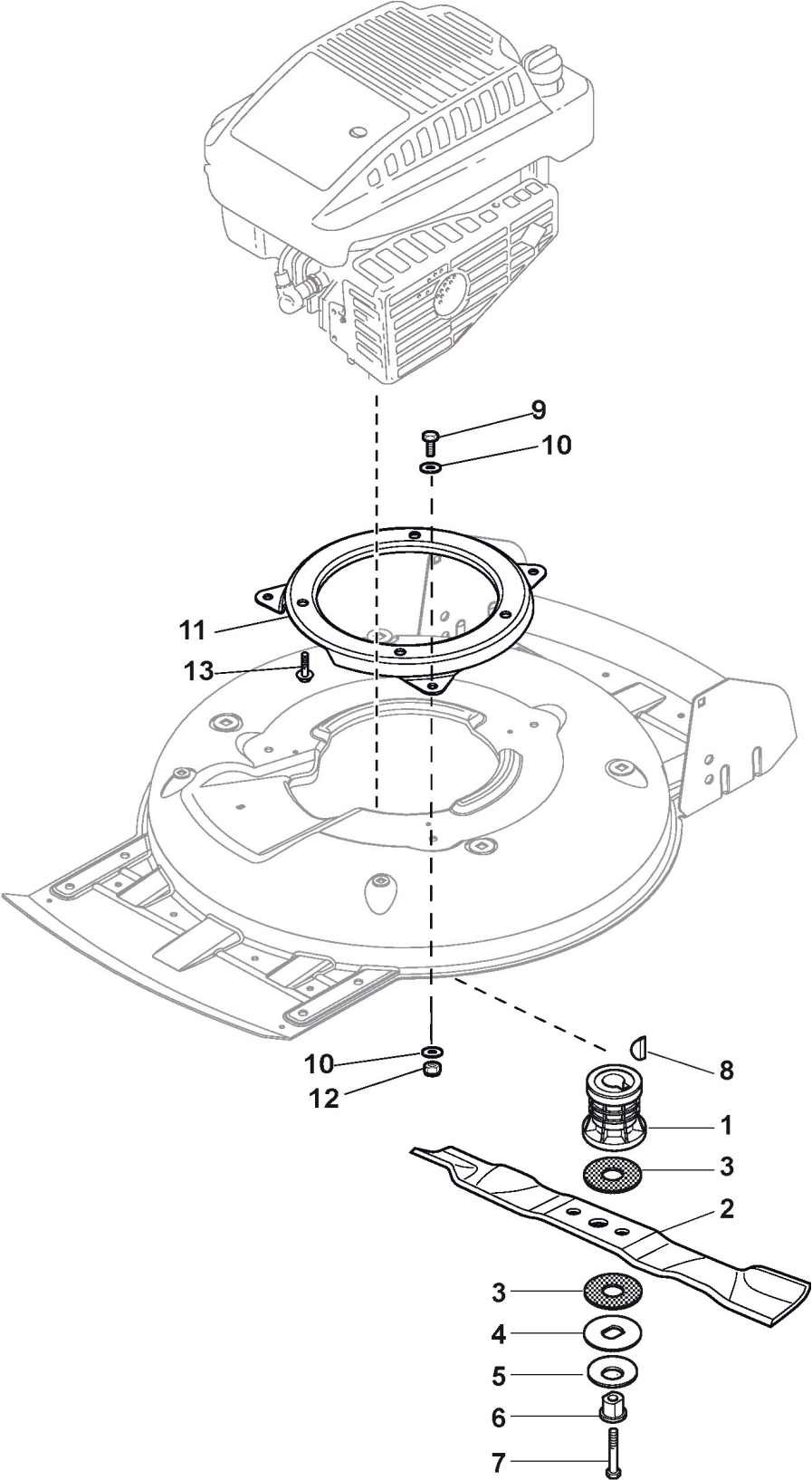
## Controls

Ref.nr.	Antal	Komponentkode	Beskrivelse	Noter	From	Op til
1	1	112291000/0	Nut			
2	1	112581500/0	Grower			
3	1	122171005/0	Spacer			
4	1	112521360/0	Washer			
5	1	112508100/0	Cup Spring			
6	1	381007279/1	Throttle Lever	ST./Honda/Tecumseh/B&S 625-675-675Es-700-750 Series;To 31-august-2017		
7	1	481007080/0	Throttle Cable			
8	1	112815000/0	Screw			
9	1	114356702/0	Throttle Label	(GGP)		



## Wheels and Hub Caps

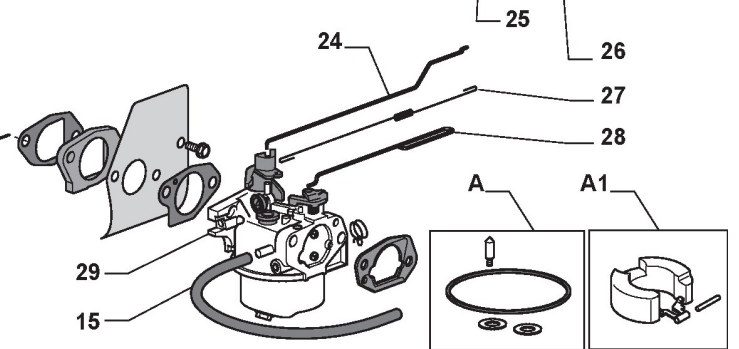
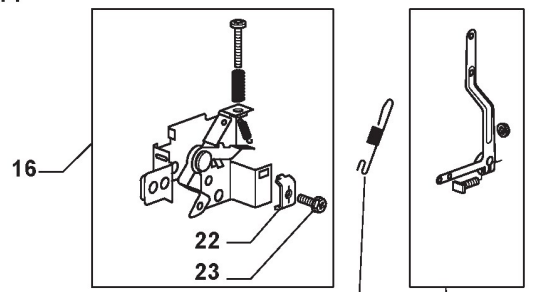
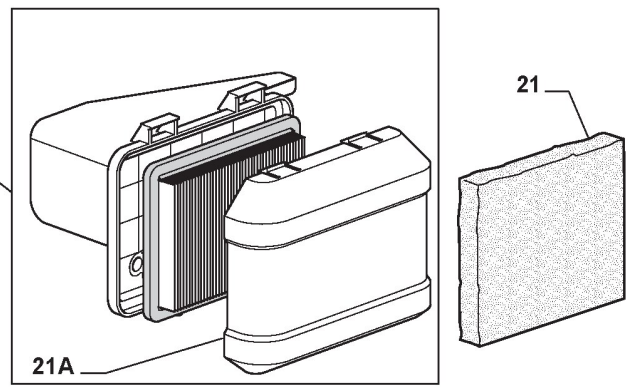
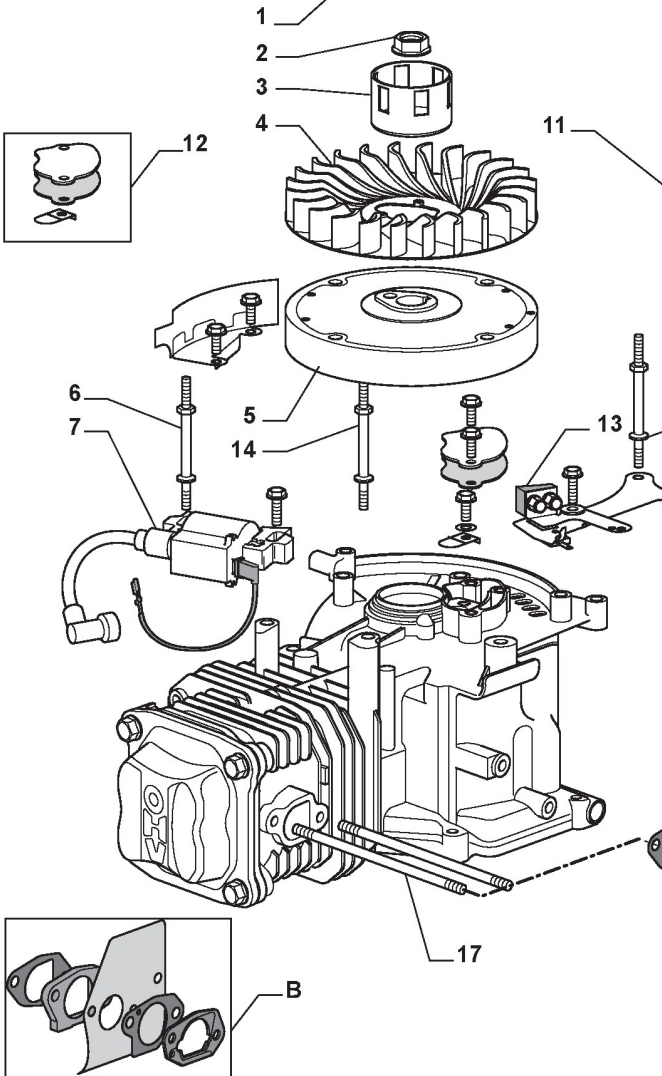
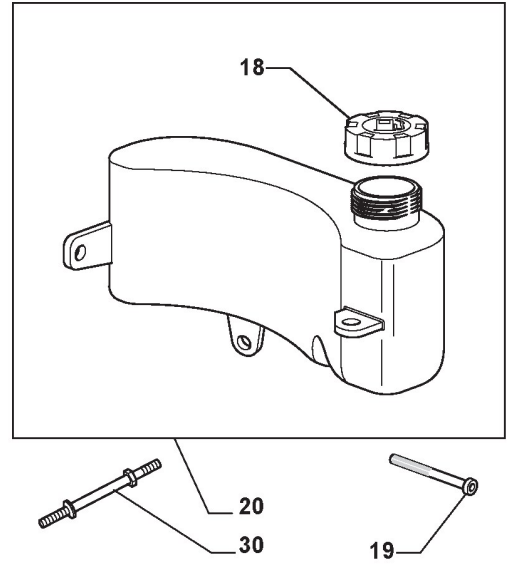
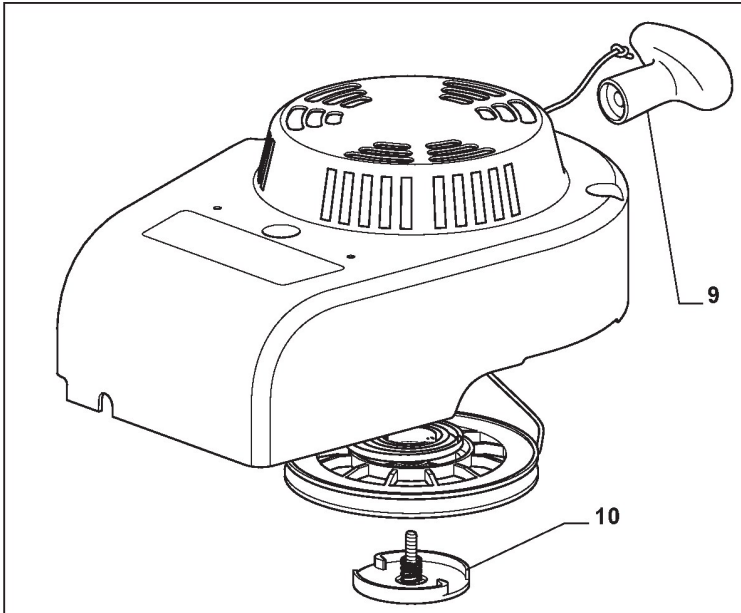
Ref.nr.	Antal	Komponentkode	Beskrivelse	Noter	From	Op til
1	4	322110416/0	Hub Cap Grey	Grey		
2	8	119216035/0	Bearing	From 01-september-2012		
2	8	122122200/0	Bearing	To 31-august-2012		
3	4	381007390/1	Wheel	To 31-august-2012		
3	4	381007490/0	Wheel	From 01-september-2012		
4	4	112521350/0	Washer			
5	4	112155000/0	Nut			
6	2	112530150/0	Spring Washer	To 31-august-2012		





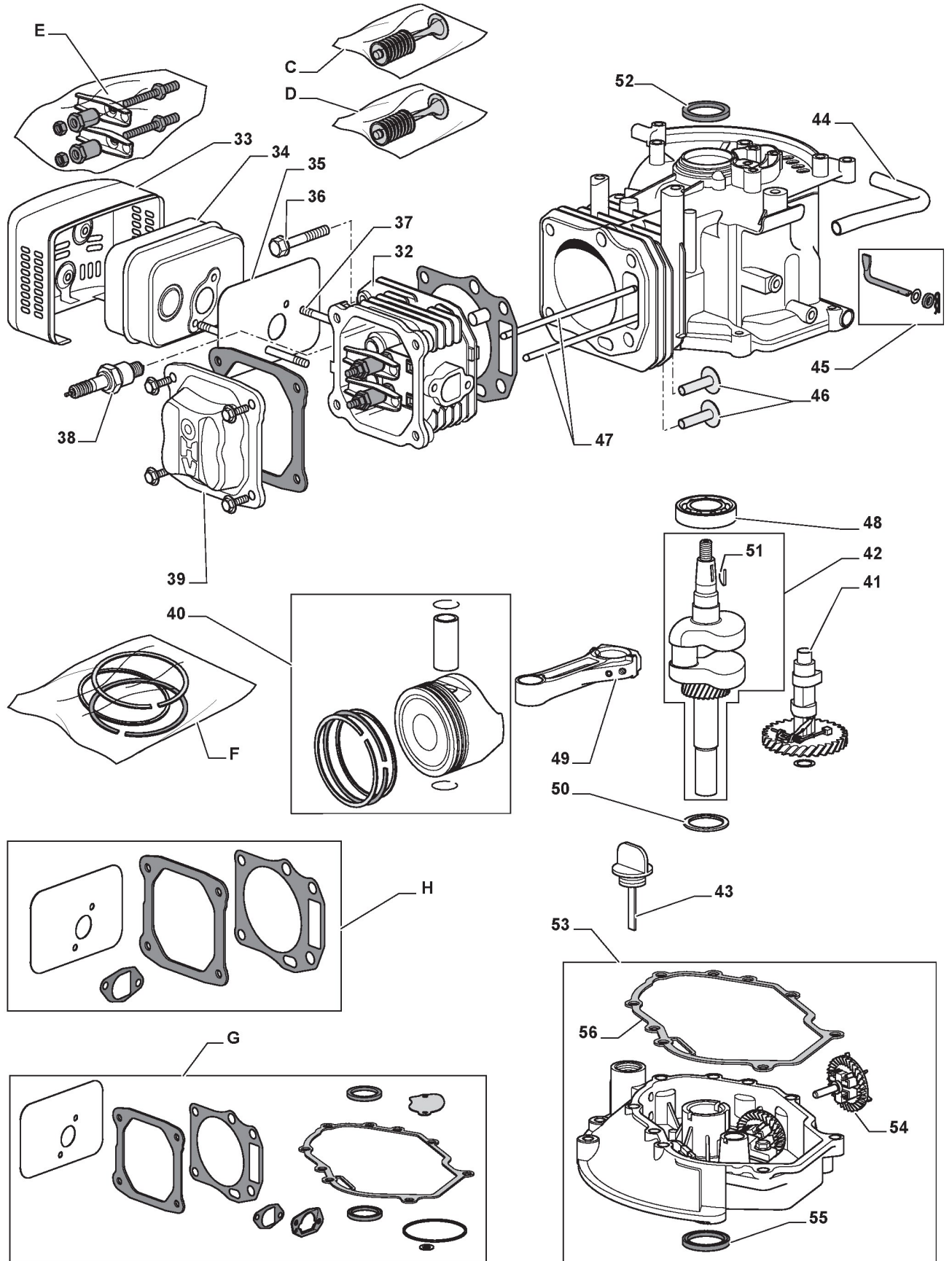
## Blade

Ref.nr.	Antal	Komponentkode	Beskrivelse	Noter	From	Op til
1	1	122465611/0	Hub With Pulley Ø 22.2			
2	1	181004146/0	Blade Standard			
3	2	322672110/1	Washer			
4	1	322672105/0	Washer			
5	1	112508120/0	Cup Spring			
6	1	122041940/0	Bushing			
7	1	112736850/0	Screw			
8	1	112139100/0	Key			
9	3	112793102/0	Screw			
10	6	112523060/0	Washer			
11	1	322207219/1	Flange			
12	3	112155000/0	Nut			
13	3	112735108/1	Screw			



# Engine - GGP WBE0702

Ref.nr.	Antal	Komponentkode	Beskrivelse	Noter	From	Op til
1	1	118550276/0	Starter Assy			
1	1	118550388/0	Kit Repair, Carburettor			
2	1	118550336/0	Nut			
3	1	118550335/0	Starter Cup			
4	1	118550254/0	Flywheel Fan			
5	1	118550253/0	Flywheel Ass.Y			
6	1	118550301/0	Stud Bolt			
7	1	118550255/0	Electronic Coil			
9	1	118550274/0	Starter Handle			
10	1	118550275/0	Starter Pawl Set			
11	1	118550258/1	Air Cleaner Assy			
12	1	118550378/0	Gasket Assy			
13	1	118550376/0	Flywheel Brake Assy			
14	2	118550302/0	Stud Bolt			
15	1	118550340/0	Fuel Pipe			
16	1	118550259/0	Remote Control Assy			
17	2	118550298/0	Stud Bolt			
18	1	118550339/0	Fuel Cap			
19	1	118550314/0	Fuel Filter			
20	1	118550316/0	Fuel Tank			
21	1	118550396/0	Air Cleaner Cover			
21	1	118550452/0	Air Filter			
22	1	118550337/0	Casing Clamp			
23	1	118550338/0	Screw			
24	1	118550397/0	Governor Link			
25	1	118550260/0	Spring			
26	1	118550266/0	Arm Governor Assy			
27	1	118550263/0	Spring			
28	1	118550264/0	Choke Control Rod			
29	1	118550390/0	Carburetor			
30	1	118550315/0	Stud Bolt			
999	1	118550248/0	Gasket Carburettor Assy			
999	1	118550389/0	Kit Repair			



# Engine - GGP WBE0702

Ref.nr.	Antal	Komponentkode	Beskrivelse	Noter	From	Op til
32	1	118550244/0	Cylinder Head Assy			
33	1	118550268/1	Muffler Guard			
34	1	118550269/0	Muffler			
35	1	118550270/0	Muffler Gasket			
36	4	118550297/0	Screw			
37	2	118550298/0	Stud Bolt			
38	1	9400-0244-00	Spark Plug			
39	1	118550296/1	Cover Comp., Head			
40	1	118550387/0	Piston Assy			
41	1	118550271/0	Camshaft assy			
42	1	118550385/0	Crankshaft			
43	1	118550381/0	Tank Cap			
44	1	118550377/0	Breather Fule Pipe			
45	1	118550308/0	Shaft, Governor Arm Assy			
46	1	118550291/0	Valve Lifter Assy			
47	1	118550289/0	Push Rods Assy			
48	1	118550280/0	Ball Bearing			
49	1	118550284/0	Connecting Rod Assy			
50	1	118550283/0	Washer			
51	1	118550288/0	Woodruff Key			
52	1	118550300/0	Oil Seal			
53	1	118550382/0	Crankase Cover Assy			
54	1	118550312/0	Speed Governor Assy			
55	1	118550379/0	Oil Seal			
56	1	118550380/0	Crankcase Gasket			
999	1	118550273/0	Valve Arm Set			
999	1	118550292/0	Intake Valve Assy			
999	1	118550294/0	Exhaust Valve Assy			
999	1	118550384/0	Piston, Ring Set			
999	1	118550403/0	Engine Gasket Set			
999	1	118550405/0	Cylinder Head Gasket Set			