

# STIGA

## MULTICLIP EURO 50 S H (2012)

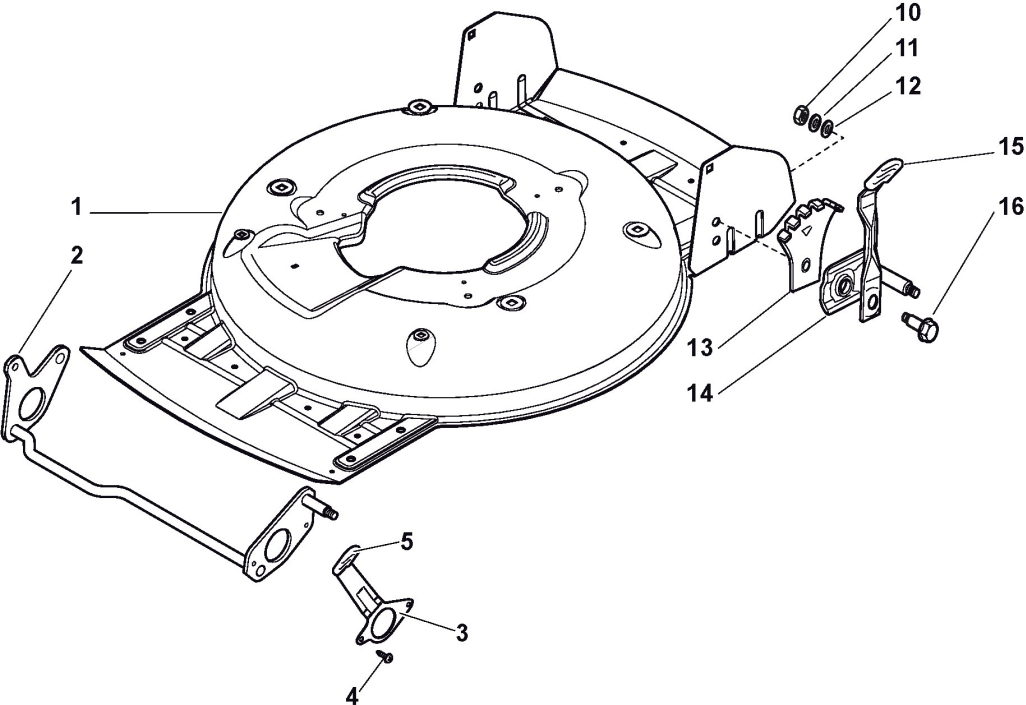
291502131/S12

### Spare parts list Reservdelar Repuestos Ersatzteile Pièces détachées Reserve onderdelen Catalogo ricambi



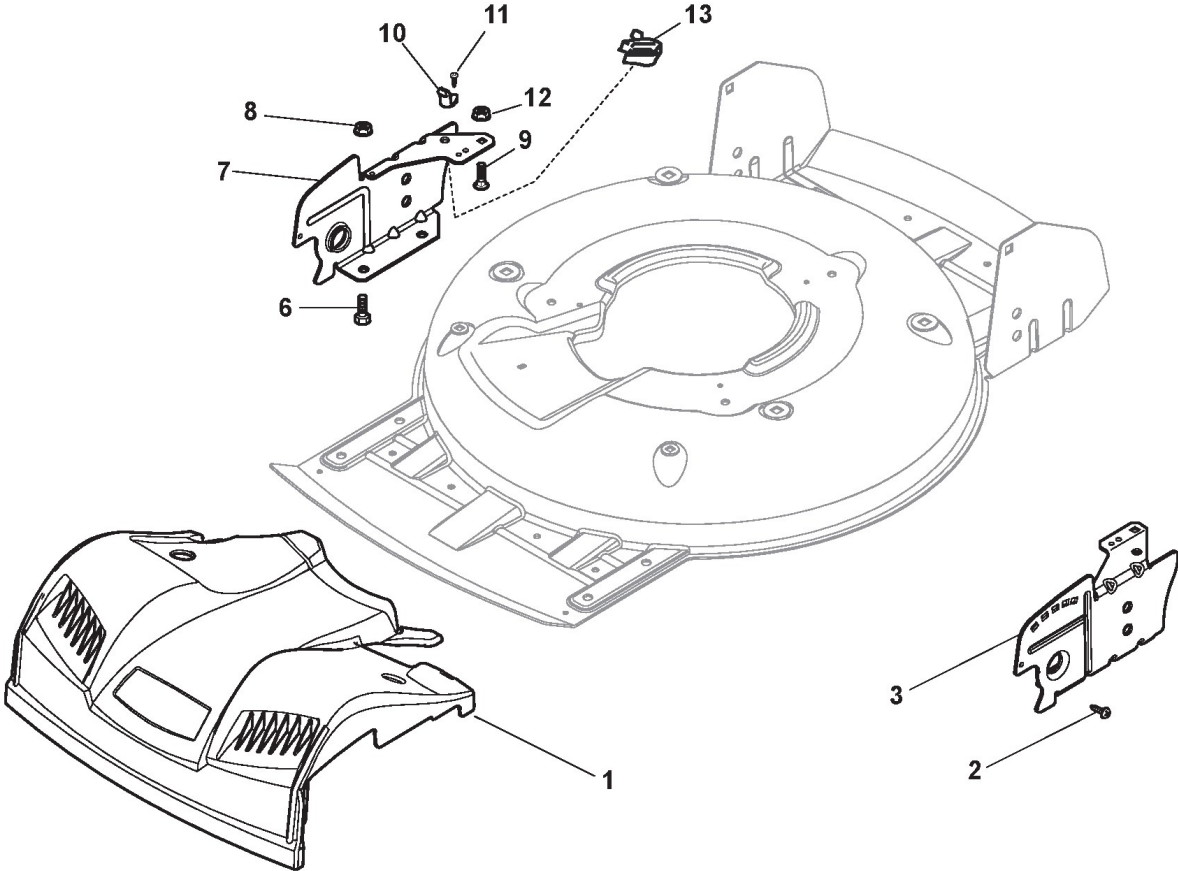
- Use ST. S.p.A. Genuine Spare Parts specified in the parts list for repair and/or replacement.
- The contents described in the parts list may change due to improvement.
- The drawings of the spare parts are only indicative And might Not represent the part in question exactly.
- The indications "right" - "left" - "front" - "rear" refer to the position of the operator when using the machine.
- When placing orders of parts for repair And/Or replacement, make sure that the illustrated parts list Is the one applying to the machine's year of manufacture, as shown on the identification plate attached to the machine.

All rights reserved. No part Of this material may be reproduced Or transmitted, in any form Or by any means, electronic Or mechanical, including photocopying, recording Or by any information storage And retrieval system, without permission in writing from ST. S.p.A.



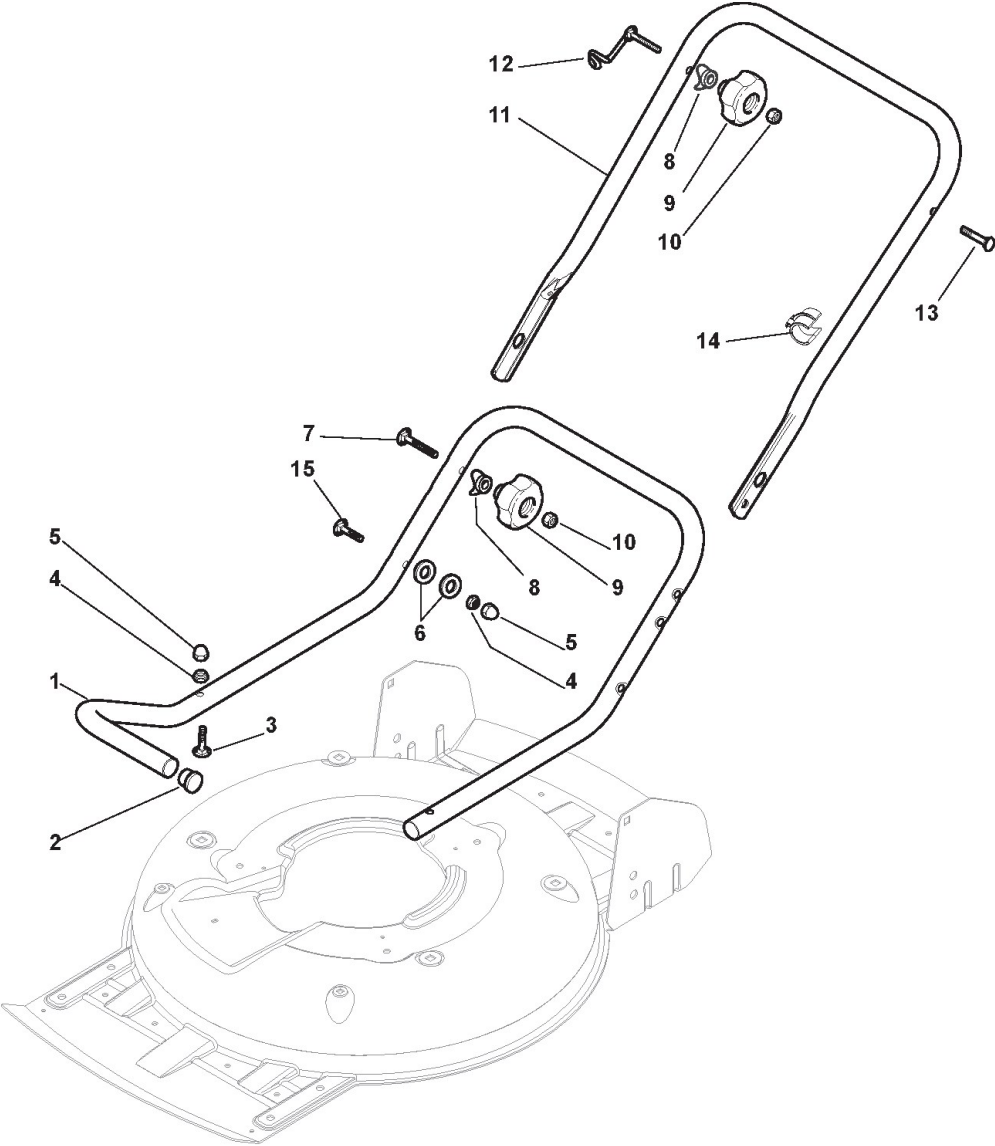
## Deck And Height Adjusting

| Ref.nr. | Antal | Komponentkode | Beskrivelse               | Noter | From              | Op til         |
|---------|-------|---------------|---------------------------|-------|-------------------|----------------|
| 1       | 1     | 381002907/1   | Yellow Deck               |       |                   | To             |
| 1       | 1     | 381004734/0   | Grey Deck                 |       | From              | 31-August-2013 |
| 1       | 1     | 381004734/1   | Grey Deck                 |       | From              |                |
| 2       | 1     | 381002849/0   | Front Wheel Axle          |       | 01-September-2016 | To             |
| 2       | 1     | 381302863/0   | Axle, Front Wheels        |       | From              |                |
| 3       | 1     | 322321546/0   | Lever                     |       | 01-September-2012 |                |
| 3       | 1     | 381003276/0   | Lever, Height Adjustment  |       |                   | To             |
| 3       | 1     | 381003412/0   | Lever, Height Adjustment  |       |                   | 31-August-2012 |
| 4       | 2     | 112735661/0   | Screw                     |       |                   |                |
| 5       | 1     | 122394501/0   | Knob                      |       | From              |                |
| 10      | 2     | 112293200/0   | Nut                       |       |                   |                |
| 11      | 2     | 112583500/0   | Grower                    |       |                   |                |
| 12      | 2     | 112523070/0   | Washer                    |       |                   |                |
| 13      | 2     | 322735547/0   | Sector, Height Adjustment |       |                   |                |
| 14      | 2     | 381005084/0   | Wheel Support             |       |                   | To             |
| 14      | 2     | 381005175/0   | Support, Wheel            |       | From              | 31-August-2012 |
| 14      | 2     | 381005175/1   | Support, Wheel            |       | From              |                |
| 15      | 2     | 481003286/0   | Lever, Height Adjustment  |       | 01-June-2018      |                |
| 16      | 2     | 122519811/0   | Pin                       |       |                   |                |



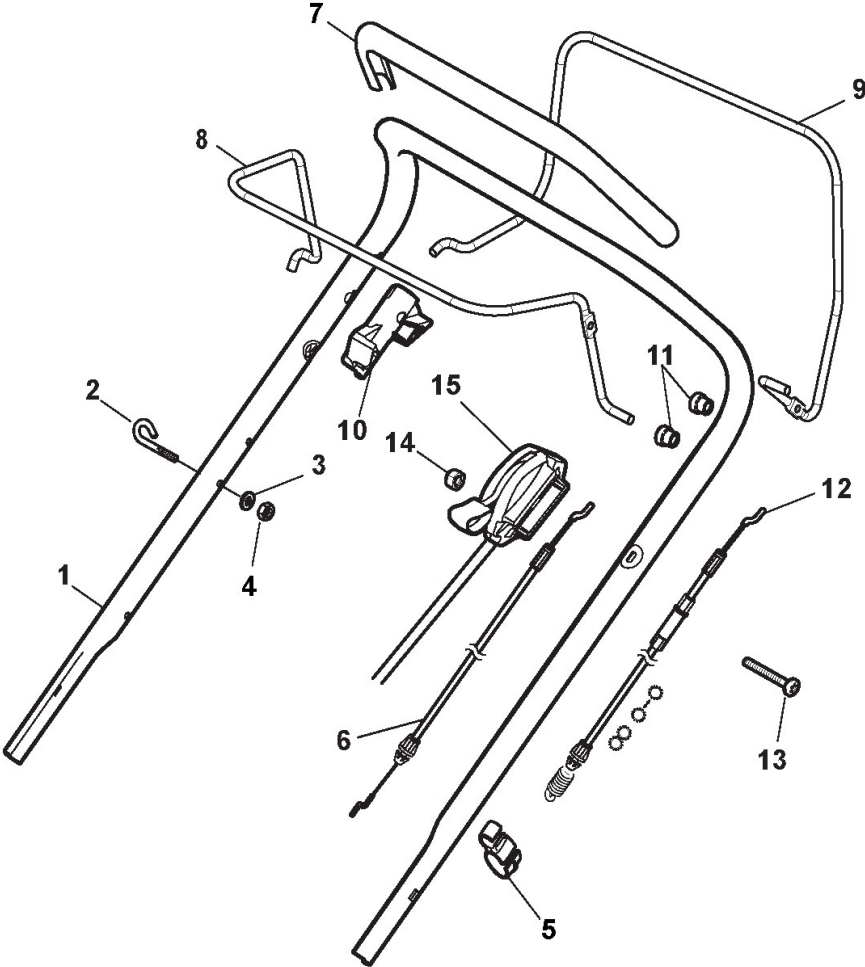
## Mask

| Ref.nr. | Antal | Komponentkode | Beskrivelse   | Noter | From | Op til |
|---------|-------|---------------|---------------|-------|------|--------|
| 1       | 1     | 322226097/1   | Mask, Yellow  |       |      |        |
| 2       | 2     | 112728450/0   | Screw         |       |      |        |
| 3       | 1     | 322778421/0   | Left Bracket  |       |      |        |
| 6       | 4     | 112792611/0   | Screw         |       |      |        |
| 7       | 1     | 322778419/0   | Right Bracket |       |      |        |
| 8       | 4     | 112293201/0   | Nut           |       |      |        |
| 9       | 2     | 112815200/0   | Screw         |       |      |        |
| 10      | 2     | 322020400/0   | Fairlead      |       |      |        |
| 11      | 2     | 112728523/0   | Screw         |       |      |        |
| 12      | 2     | 112292102/0   | Nut           |       |      |        |
| 13      | 1     | 133320506/0   | Fairlead      |       |      |        |



## Handle, Lower Part

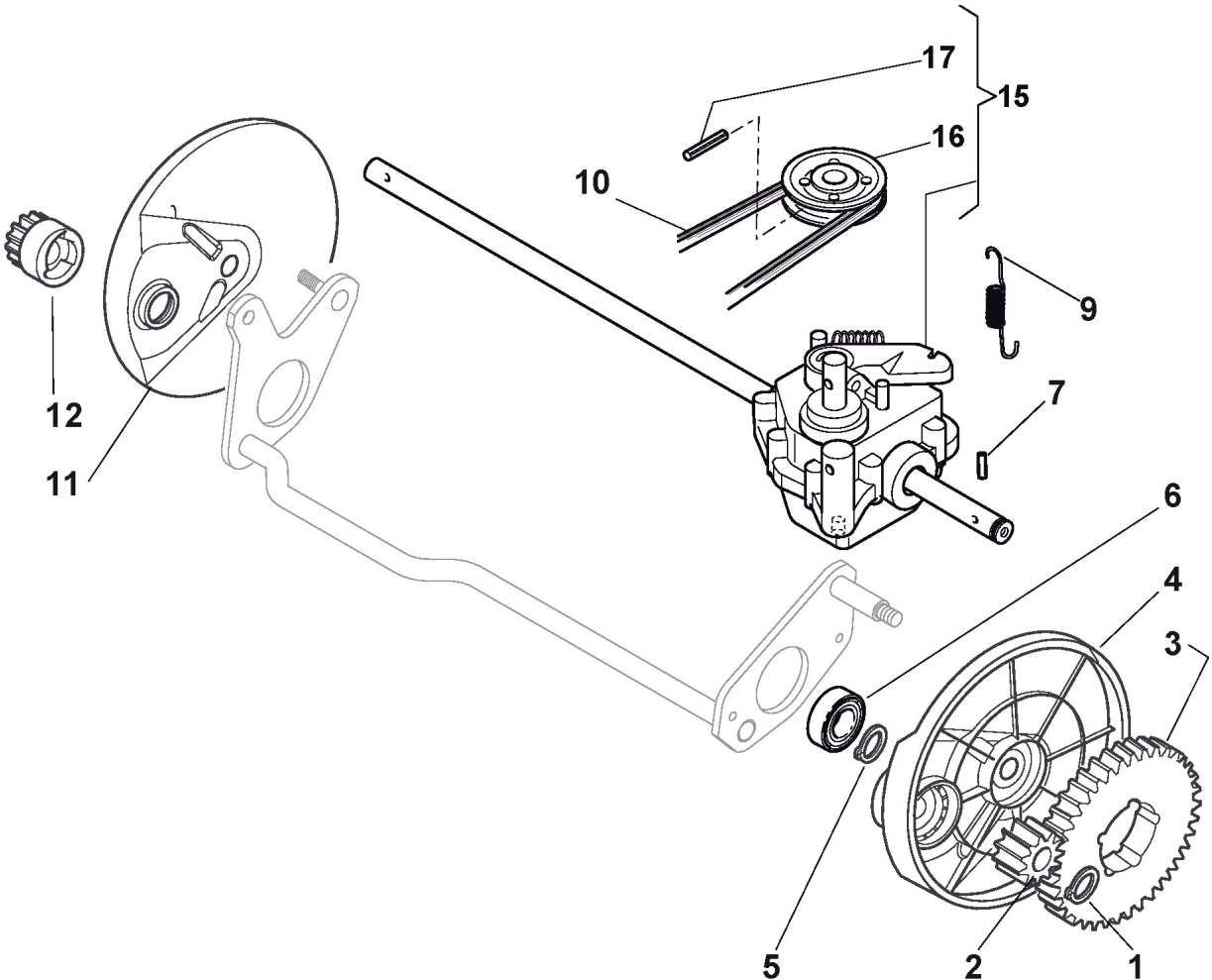
| Ref.nr. | Antal | Komponentkode | Beskrivelse               | Noter | From                          | Op til             |
|---------|-------|---------------|---------------------------|-------|-------------------------------|--------------------|
| 1       | 1     | 381006667/0   | Handle Lower Part         |       |                               |                    |
| 2       | 2     | 118566110/0   | Push Rod                  |       |                               |                    |
| 3       | 4     | 112818900/0   | Screw                     |       |                               |                    |
| 4       | 4     | 112155000/0   | Nut                       |       |                               |                    |
| 5       | 4     | 118203854/0   | Cap                       |       |                               |                    |
| 6       | 2     | 112819100/0   | Screw                     |       | From<br>01-Septem<br>ber-2015 |                    |
| 7       | 4     | 112819121/0   | Screw                     |       |                               |                    |
| 7       | 4     | 112819201/0   | Screw                     |       |                               | To                 |
| 8       | 4     | 122671651/0   | Washer                    |       | From<br>01-Septem<br>ber-2012 |                    |
| 8       | 4     | 122680006/1   | Washer                    |       |                               | To                 |
| 9       | 4     | 322399804/1   | Knob                      |       |                               |                    |
| 10      | 4     | 112293200/0   | Nut                       |       |                               |                    |
| 11      | 1     | 381006668/0   | Handle Middle Part        |       |                               | To                 |
| 11      | 1     | 381006668/1   | Handle, Middle Part Black |       | From<br>01-Septem<br>ber-2012 | 31-August-<br>2014 |
| 12      | 1     | 122430313/0   | Guide Spring              |       |                               |                    |
| 12      | 1     | 181003801/1   | Guide Spring              |       |                               | To                 |
| 13      | 1     | 112819201/0   | Screw                     |       |                               |                    |
| 14      | 1     | 118390020/0   | Conduit Clip              |       |                               |                    |
| 15      | 2     | 112819100/0   | Screw                     |       |                               |                    |





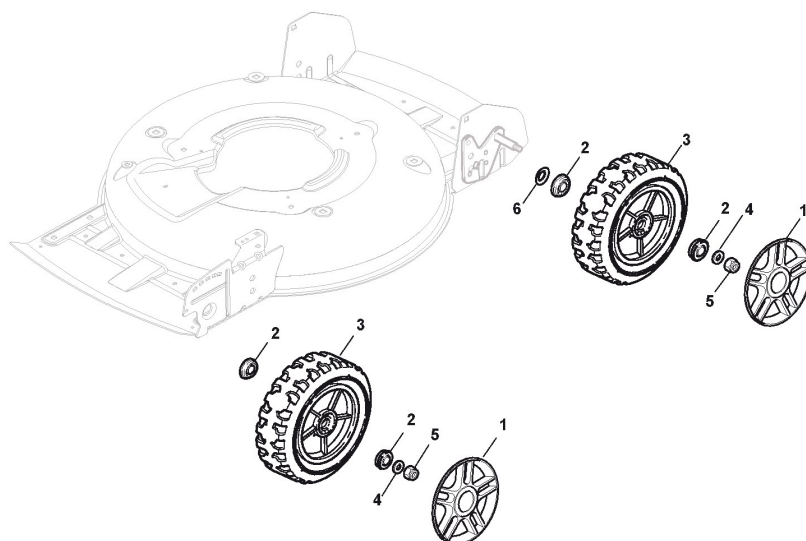
# Handle, Upper Part

| Ref.nr. | Antal | Komponentkode | Beskrivelse                | Noter                  | From                      | Op til               |
|---------|-------|---------------|----------------------------|------------------------|---------------------------|----------------------|
| 1       | 1     | 381006838/0   | Handle, Upper Part         |                        | From<br>01-September-2011 | To<br>31-August-2012 |
| 1       | 1     | 381006887/0   | Upper Handle               |                        |                           |                      |
| 2       | 1     | 122430313/0   | Guide Spring               |                        |                           |                      |
| 3       | 1     | 112521330/0   | Washer                     |                        |                           |                      |
| 4       | 1     | 112154510/0   | Nut                        |                        |                           |                      |
| 5       | 1     | 118390020/0   | Conduit Clip               |                        |                           |                      |
| 6       | 1     | 181030056/0   | Cable, Thread Engine Brake | HON / B&S / GGP Engine |                           |                      |
| 7       | 1     | 122291050/0   | Handgrip Black             |                        |                           |                      |
| 8       | 1     | 181003300/1   | Lever, Engine Brake        |                        |                           |                      |
| 9       | 1     | 181003301/0   | Drive Control Lever        |                        |                           |                      |
| 10      | 1     | 322545204/0   | Fulcrum Pin                |                        |                           |                      |
| 11      | 4     | 122041966/0   | Bushing                    |                        |                           |                      |
| 12      | 1     | 381030083/0   | Cable Rear Drive           |                        |                           | To<br>31-August-2012 |
| 12      | 1     | 381030096/0   | Cable Rear Drive           |                        | From<br>01-September-2014 | To<br>31-August-2017 |
| 12      | 1     | 381030096/1   | Cable Rear Drive           |                        | From<br>01-September-2014 | To<br>31-August-2017 |
| 12      | 1     | 381030132/0   | Drive Cable                |                        |                           |                      |
| 13      | 1     | 112727783/0   | Screw                      |                        |                           |                      |
| 14      | 1     | 112154510/0   | Nut                        |                        |                           |                      |
| 15      | 1     | 181005517/0   | Throttle Cable             | HON / GGP Engine       |                           |                      |



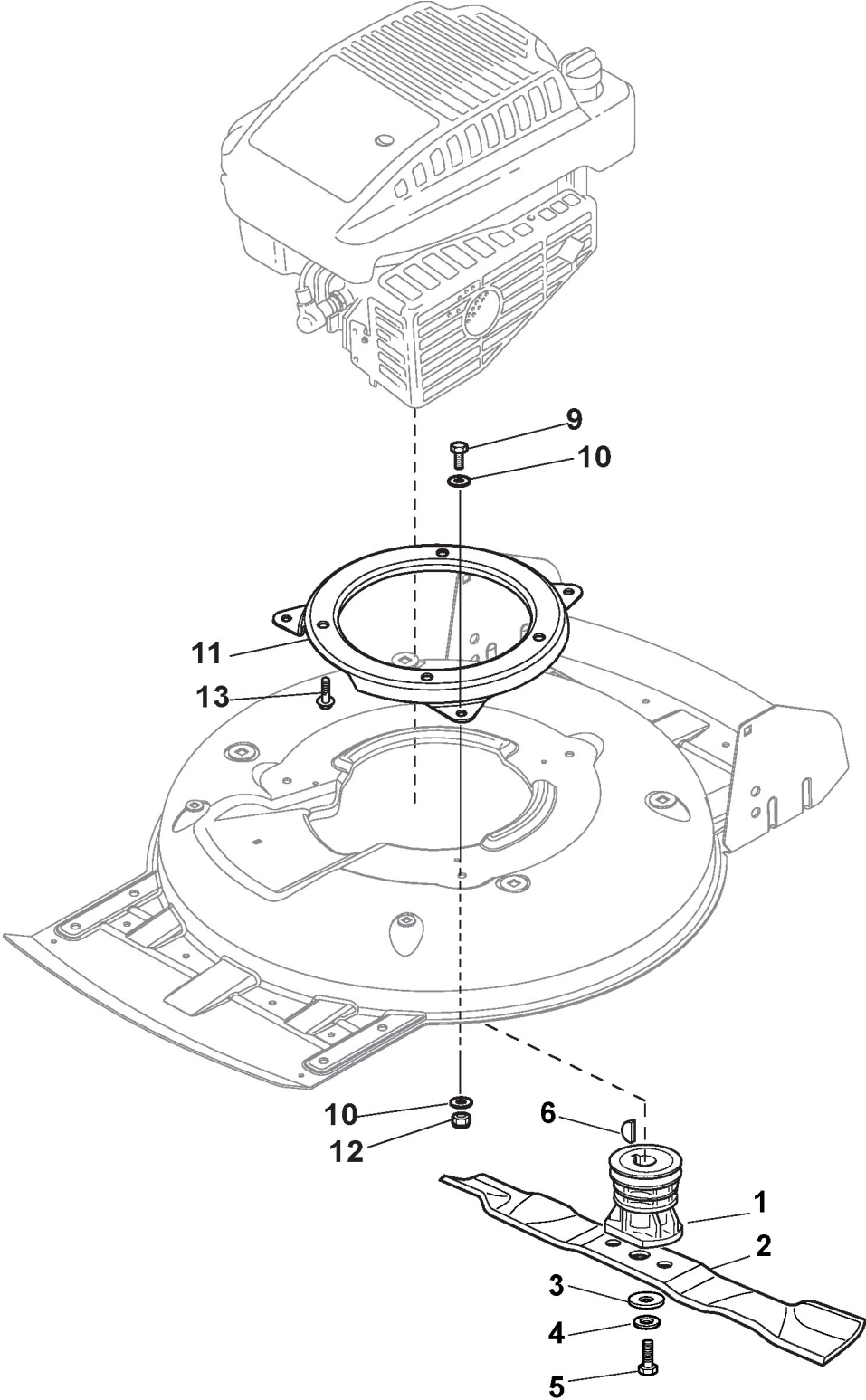
# Transmission

| Ref.nr. | Antal | Komponentkode | Beskrivelse            | Noter | From                           | Op til                       |
|---------|-------|---------------|------------------------|-------|--------------------------------|------------------------------|
| 1       | 2     | 112608600/0   | Seeger                 |       |                                |                              |
| 2       | 1     | 122570120/1   | Pinion Left            |       |                                |                              |
| 3       | 2     | 122120105/1   | Ring Gear              |       |                                | To<br>31-August-<br>2016     |
| 3       | 2     | 122120105/2   | Ring Gear              |       | From                           |                              |
| 4       | 1     | 122600092/0   | Right Wheel Protection |       |                                | To<br>31-August-<br>2012     |
| 4       | 1     | 322600267/0   | Protection, Wheel      |       | From                           |                              |
| 5       | 2     | 112608600/0   | Seeger                 |       |                                |                              |
| 6       | 2     | 119216035/0   | Bearing                |       |                                |                              |
| 7       | 2     | 122753000/0   | Pin                    |       |                                |                              |
| 9       | 1     | 122450437/0   | Spring                 |       | From                           |                              |
| 9       | 1     | 122450439/0   | Spring                 |       |                                | To<br>30-Septem-<br>ber-2017 |
| 10      | 1     | 135063902/0   | Belt                   |       |                                | To<br>30-Septem-<br>ber-2017 |
| 10      | 1     | 135063902/0   | Belt                   |       | From<br>01-Septem-<br>ber-2016 | To<br>30-Septem-<br>ber-2017 |
| 10      | 1     | 135064100/0   | Belt                   |       | From                           |                              |
| 10      | 1     | 135064105/0   | Trapezoidal Belt       |       | From<br>01-October-<br>2017    | To                           |
| 11      | 1     | 122600093/0   | Left Wheel Protection  |       | From                           |                              |
| 11      | 1     | 322600267/0   | Protection, Wheel      |       | From<br>01-Septem-<br>ber-2012 |                              |
| 12      | 1     | 122570110/1   | Pinion Right           |       |                                |                              |
| 15      | 1     | 181003095/0   | Gear Box               |       |                                | To<br>31-August-<br>2012     |
| 15      | 1     | 181003109/0   | Gear Box               |       | From                           |                              |
| 15      | 1     | 181003109/1   | Gear Box               |       | From                           | To<br>31-August-<br>2016     |
| 15      | 1     | 181003122/0   | Gear Box               |       | From<br>01-Septem-<br>ber-2014 | To<br>31-August-<br>2016     |
| 15      | 1     | 181003127/0   | Gear Box Assy          |       | From                           |                              |
| 16      | 1     | 122601904/0   | Pulley                 |       | From<br>01-October-<br>2017    | To                           |
| 16      | 1     | 122601909/0   | Pulley                 |       | From                           |                              |
| 17      | 1     | 112645705/0   | Elastic Pin            |       | From<br>01-Septem-<br>ber-2010 |                              |



## Wheels and Hub Caps

| Ref.nr. | Antal | Komponentkode | Beskrivelse    | Noter  | From                      | Op til               |
|---------|-------|---------------|----------------|--------|---------------------------|----------------------|
| 1       | 4     | 322110492/0   | Hub Cap Grey   | Grey   |                           |                      |
| 1       | 4     | 322110563/0   | Hub Cap Yellow | Yellow |                           |                      |
| 2       | 8     | 119216035/0   | Bearing        |        | From<br>01-September-2012 | To<br>31-August-2012 |
| 2       | 8     | 122122200/0   | Bearing        |        |                           |                      |
| 3       | 4     | 181007343/0   | Wheel          |        |                           |                      |
| 3       | 4     | 381007490/0   | Wheel          |        | From<br>01-September-2012 | To<br>31-August-2012 |
| 4       | 4     | 112521350/0   | Washer         |        |                           |                      |
| 5       | 4     | 112155000/0   | Nut            |        |                           |                      |
| 6       | 2     | 112530150/0   | Spring Washer  |        |                           | To<br>31-August-2012 |



## Blade

| Ref.nr. | Antal | Komponentkode | Beskrivelse                      | Noter | From              | Op til                   |
|---------|-------|---------------|----------------------------------|-------|-------------------|--------------------------|
| 1       | 1     | 122465608/1   | Hub With Pulley, Crankshaft Ø 25 |       |                   | To<br>31-August-<br>2009 |
| 1       | 1     | 122465608/2   | Hub With Pulley, Crankshaft Ø 25 |       | From<br>01-Septem |                          |
| 2       | 1     | 181004146/0   | Blade Standard                   |       |                   |                          |
| 3       | 1     | 122160400/0   | Elastic Disc                     |       |                   |                          |
| 4       | 1     | 112523080/0   | Washer                           |       |                   |                          |
| 5       | 1     | 112735698/0   | Screw                            |       |                   |                          |
| 6       | 1     | 112139150/0   | Feather, Crankshaft Ø 25         |       |                   |                          |
| 9       | 3     | 112793102/0   | Screw                            |       |                   |                          |
| 10      | 6     | 112523060/0   | Washer                           |       |                   |                          |
| 11      | 1     | 322207219/1   | Flange                           |       |                   |                          |
| 12      | 3     | 112155000/0   | Nut                              |       |                   |                          |
| 13      | 3     | 112735108/1   | Screw                            |       | From              |                          |
| 13      | 3     | 112735109/2   | Screw                            |       |                   | To<br>31-August-<br>2014 |