

# STIGA

## SBC 226 J (2020)

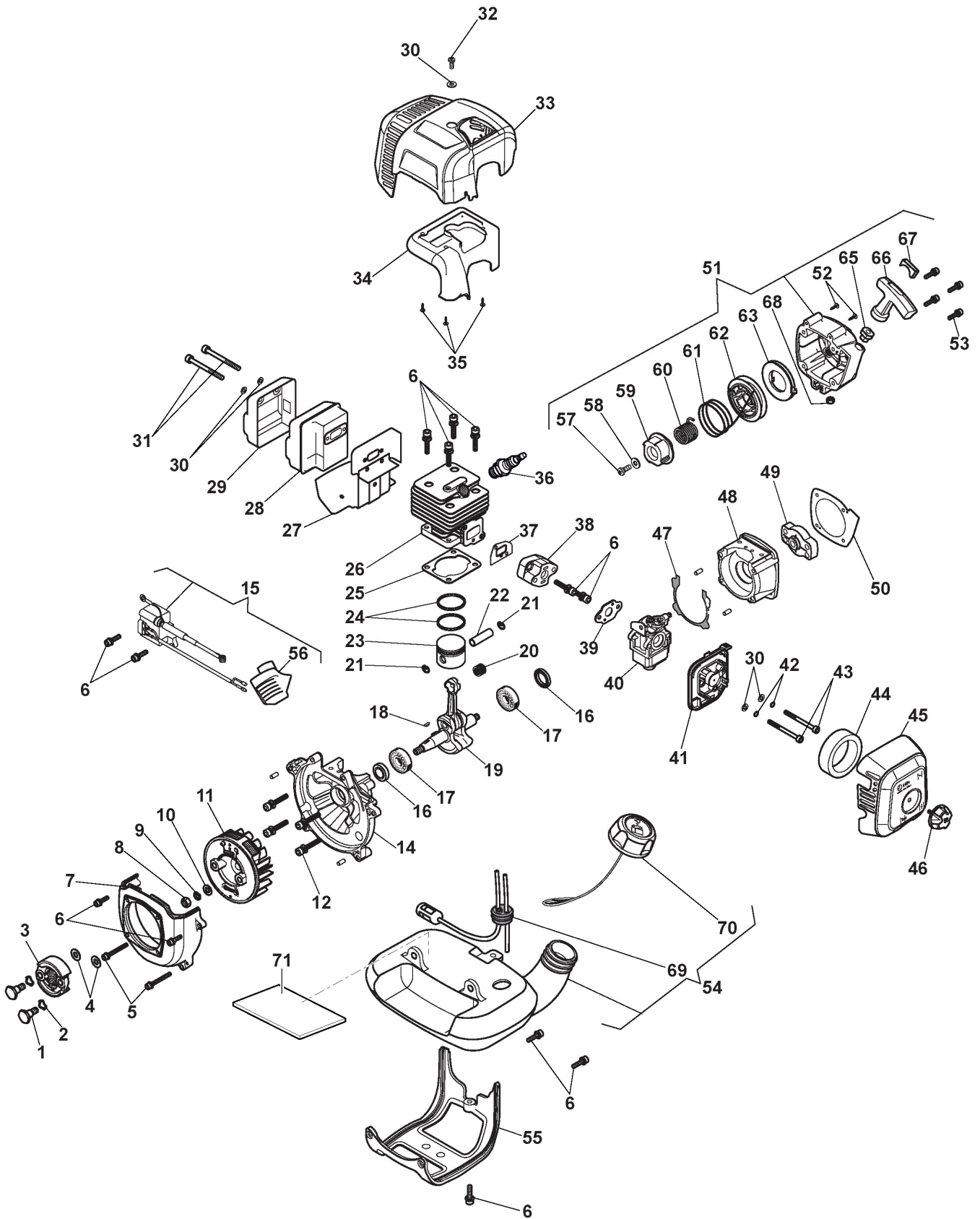
287120102/ST1



### Spare parts list Reservdelar Repuestos Ersatzteile Pièces détachées Reserve onderdelen Catalogo ricambi

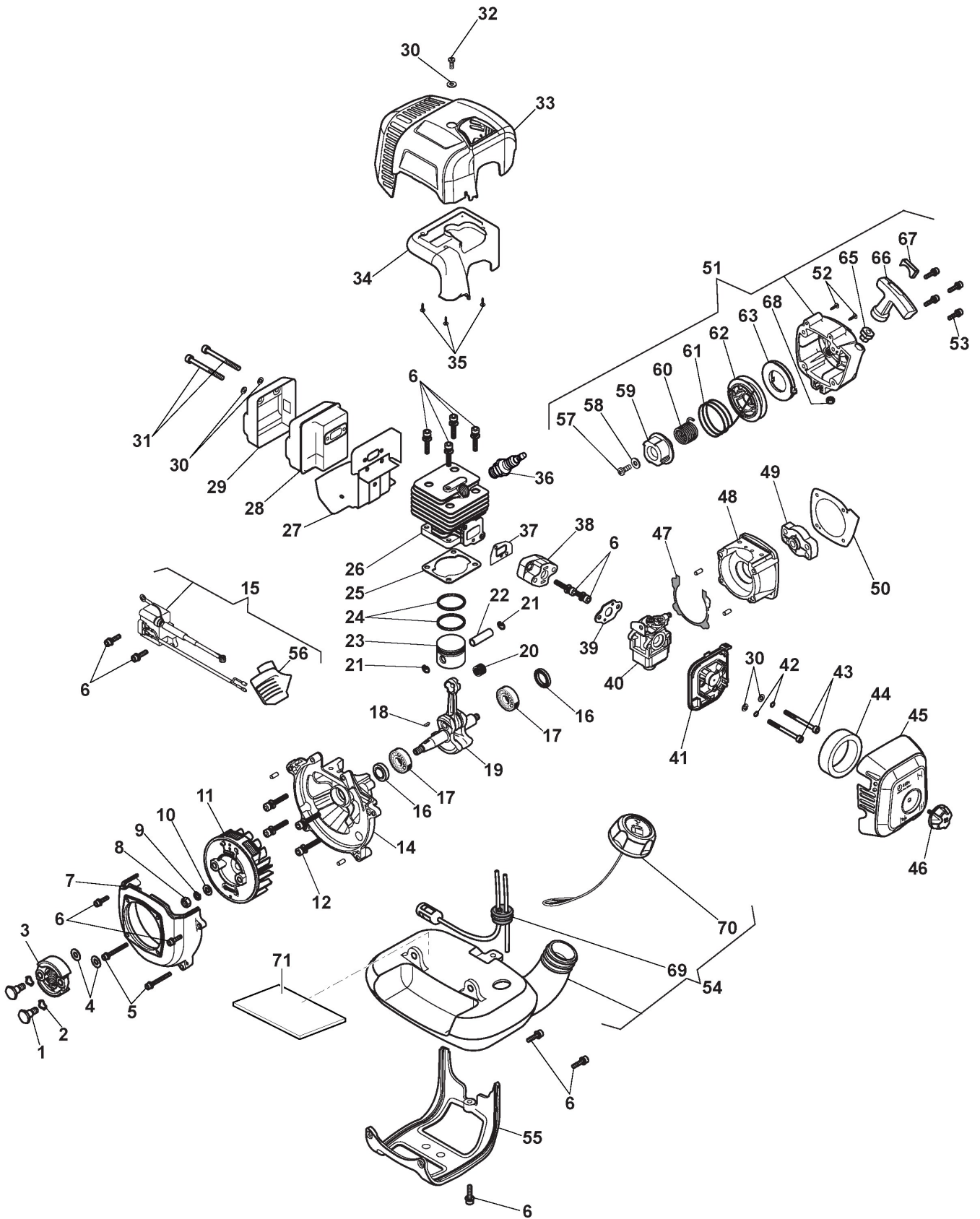
- Use ST. S.p.A. Genuine Spare Parts specified in the parts list for repair and/or replacement.
- The contents described in the parts list may change due to improvement.
- The drawings of the spare parts are only indicative And might Not represent the part in question exactly.
- The indications "right" - "left" - "front" - "rear" refer to the position of the operator when using the machine.
- When placing orders of parts for repair And/Or replacement, make sure that the illustrated parts list Is the one applying to the machine's year of manufacture, as shown on the identification plate attached to the machine.

All rights reserved. No part Of this material may be reproduced Or transmitted, in any form Or by any means, electronic Or mechanical, including photocopying, recording Or by any information storage And retrieval system, without permission in writing from ST. S.p.A.



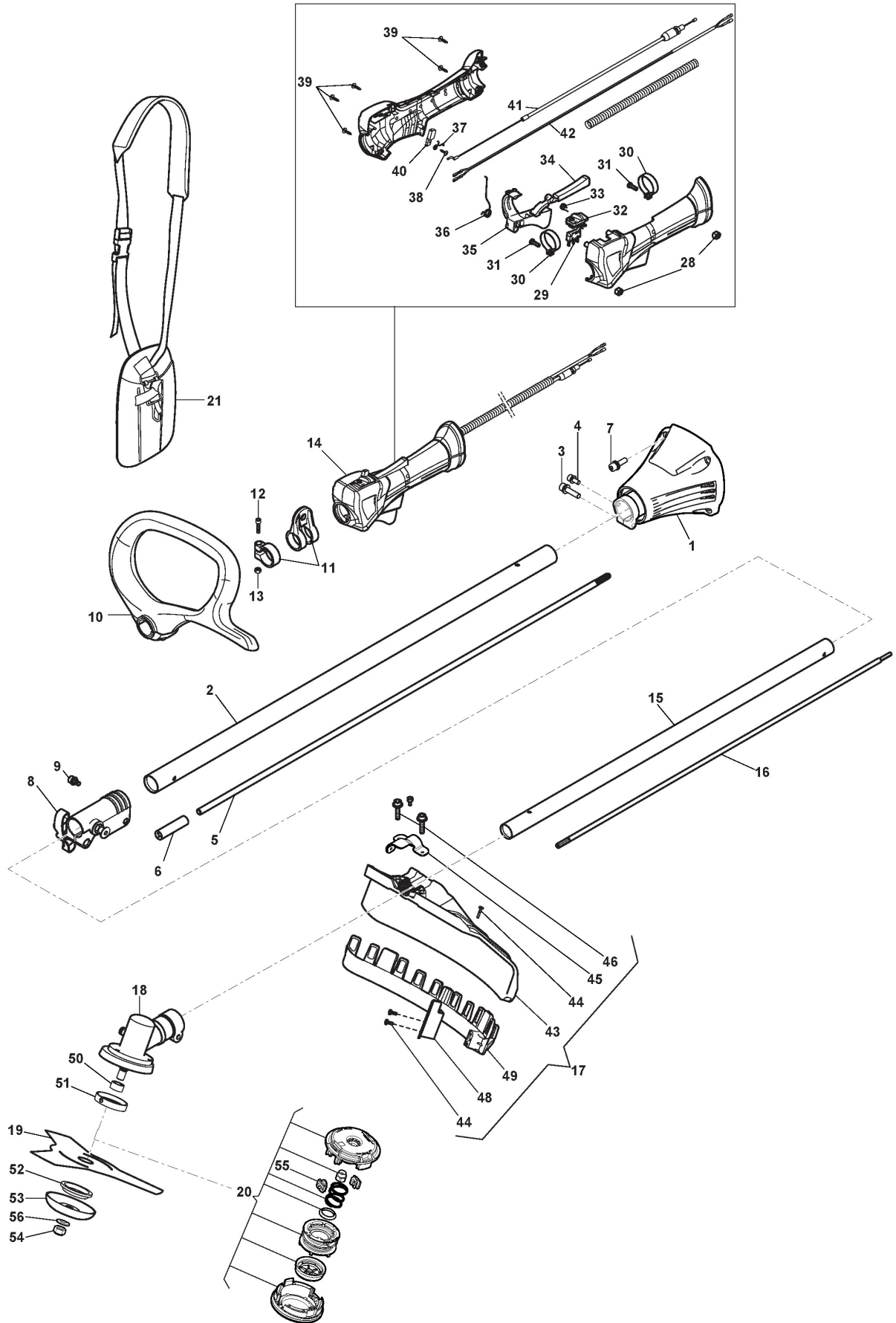
# Engine

Ref.nr.	Antal	Komponentkode	Beskrivelse	Noter	From	Op til
1	2	118805051/0	Screw			
2	2	118804045/0	Washer			
3	1	118802113/0	Clutch Drive			
4	2	2312010	Flat washer			
5	2	2135120	Screw			
6	13	2135030	Screw			
7	1	118803161/0	Flywheel Cover			
8	1	112293200/0	Nut			
9	1	112583500/0	Grower			
10	1	6981128	Washer			
11	1	118802073/0	Flywheel			
12	4	2135050	Screw			
14	1	118802078/0	Crank Case			
15	1	118803162/0	Electronic Coil			
16	2	118801188/0	Seal Ring			
17	2	119216035/0	Bearing			
18	1	123072002/0	Flywheel Key			
19	1	118802066/0	Crankshaft			
20	1	118803164/0	Needle Bearing			
21	2	118802084/0	Circlip			
22	1	118802081/0	Piston Pin			
23	1	118802076/0	Piston			
24	2	118802077/0	Piston Ring			
25	1	118803165/0	Cylinder Gasket			
26	1	118802074/0	Cylinder			
27	1	118803166/0	Muffler Gasket			
28	1	118803167/0	Muffler			
29	1	118803168/0	Muffler Guard			
30	5	112521320/0	Washer			
31	2	2122210	Screw			
32	1	112727790/0	Screw			
33	1	322055254/0	Yellow Cylinder Cover			
34	1	118803169/0	Air Cleaner Cover			
35	3	1126-1049-01	Screw			
36	1	3210024	Spark Plug			
37	1	118803170/0	Gasket			
38	1	118802086/0	Intake Manifold			
39	1	118803171/0	Carburetor Gasket			
40	1	118803172/0	Carburetor			
41	1	118803173/0	Cover			
42	2	112581500/0	Grower			
43	2	2135250	Screw			
44	1	118801526/0	Air Filter			
45	1	322055255/0	Filter Cover Yellow			
46	1	118803174/0	Knob, Grey			
47	1	118803175/0	Crankcase Gasket			
48	1	118802079/0	Crank Case			
49	1	118802069/0	Starter Cup			



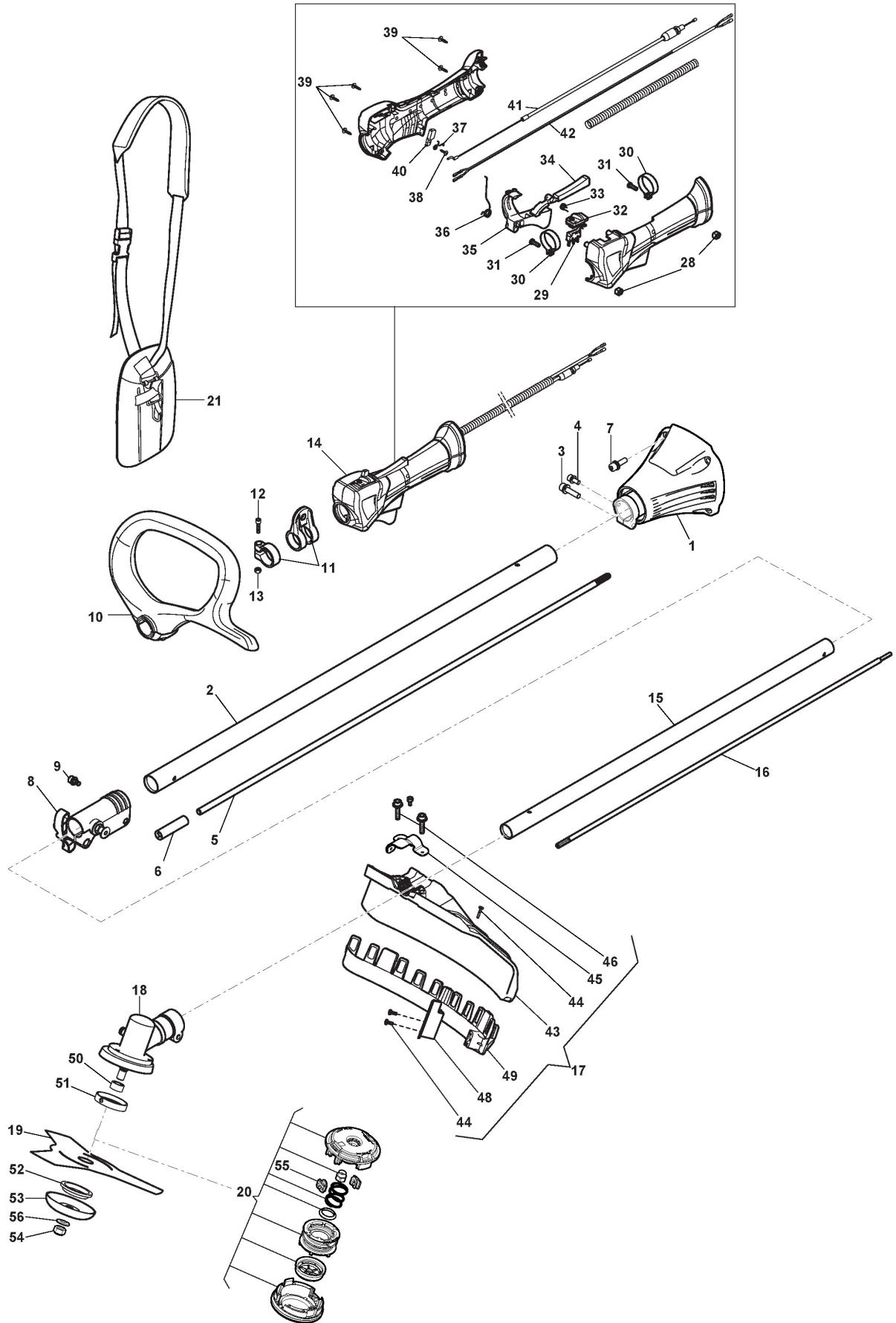
# Engine

Ref.nr.	Antal	Komponentkode	Beskrivelse	Noter	From	Op til
50	1	118803176/0	Gasket			
51	1	118803177/0	Starter Assy Yellow			
52	2	112727810/0	Screw			
53	4	6981149	Screw			
54	1	118803189/0	Fuel Tank Assy			
55	1	118803191/0	Support			
56	1	118803163/0	Spark Plug Cap			
57	1	2135180	Screw			
58	1	2312150	Washer			
59	1	118803179/0	Cap			
60	1	118803180/0	Spring			
61	1	118803181/0	Starter Cord			
62	1	118803182/0	Starter Pulley			
63	1	118803183/0	Spring			
65	1	118803185/0	Rope Guide			
66	1	118803186/0	Starter Handle			
67	1	118803187/0	Yellow Starter Plate			
68	1	112291000/0	Nut			
69	1	118803190/0	Fuel Hose			
70	1	322735152/0	Oil Cap			
71	1	118805308/0	Heat Insulation Label			



# Transmission

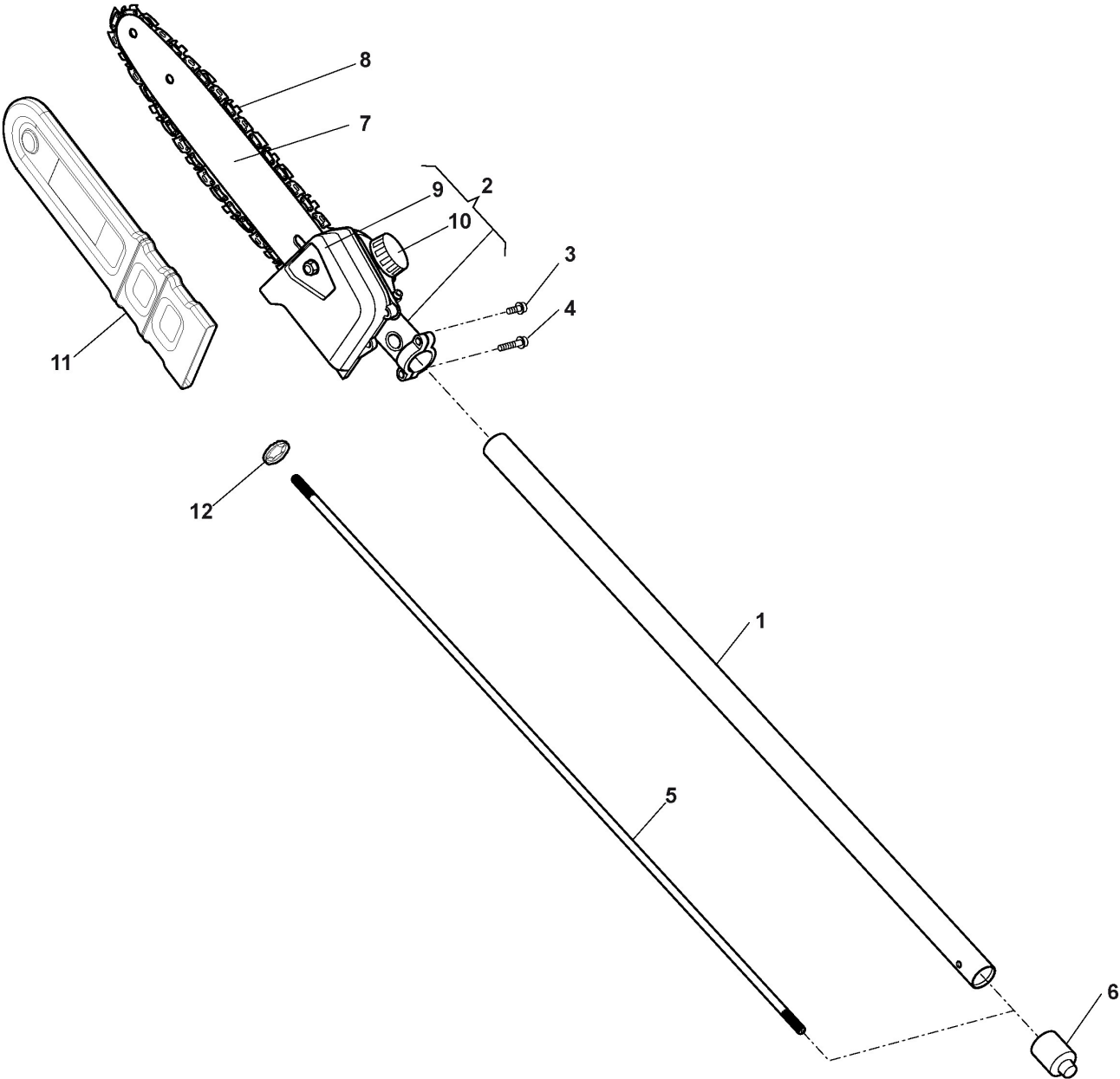
Ref.nr.	Antal	Komponentkode	Beskrivelse	Noter	From	Op til
1	1	118804899/0	Transmission Support Assy			
2	1	118804900/0	Transmission Pipe Assy			
3	1	2135050	Screw			
4	1	2135180	Screw			
5	1	118803141/0	Pipe			
6	1	118803142/0	Shaft Connector			
7	4	2135150	Screw			
8	1	118802099/0	Connector Assy			
9	1	2135180	Screw			
10	1	118804209/0	Yellow Front Handle			
11	1	118801182/0	Harness Support			
12	1	2135020	Screw			
13	1	112154330/0	Nut			
14	1	118803144/1	Handle Assy, Yellow			
15	1	118803195/0	Transmission Pipe Assy			
16	1	118803197/0	Transmission Shaft Ass.Y			
17	1	118803198/0	Safety Cover Ass.Y			
18	1	118801184/0	Gear Case Assy			
19	1	118801125/0	3 Teeth Disc			
20	1	1911-9226-01	Line Cutter Head			
21	1	118804016/0	Harness			
28	2	118804189/0	Threaded Insert			
29	1	118803145/0	Switch			
30	2	118803146/0	Clamp			
31	2	6981269	Screw			
32	1	118803147/0	Switch			
33	1	118803148/0	Spring			
34	1	118803149/0	Switch			
35	1	118803150/0	Throttle Lever, Yellow			
36	1	118803151/0	Spring			
37	1	118803152/0	Spring			
38	1	2123060	Screw			
39	5	112727810/0	Screw			
40	1	118803153/0	Switch Part			
41	1	118803154/0	Throttle Cable			
42	1	118803155/0	Stop Wire			
43	1	118803199/0	Safety Cover, Grey			
44	3	2123050	Screw			
45	1	118803200/0	Plate			
46	2	112727799/0	Screw			
48	1	118803201/0	Line Cutter Blade			
49	1	118803202/0	Support			
50	1	118803203/0	Spacer			
51	1	118803204/0	Upper Ring Nut			
52	1	118803205/0	Lower Ring Nut			
53	1	118803206/0	Case Dust Cover			
54	1	2452090	Nut			
55	1	118804890/0	Line Retainer			





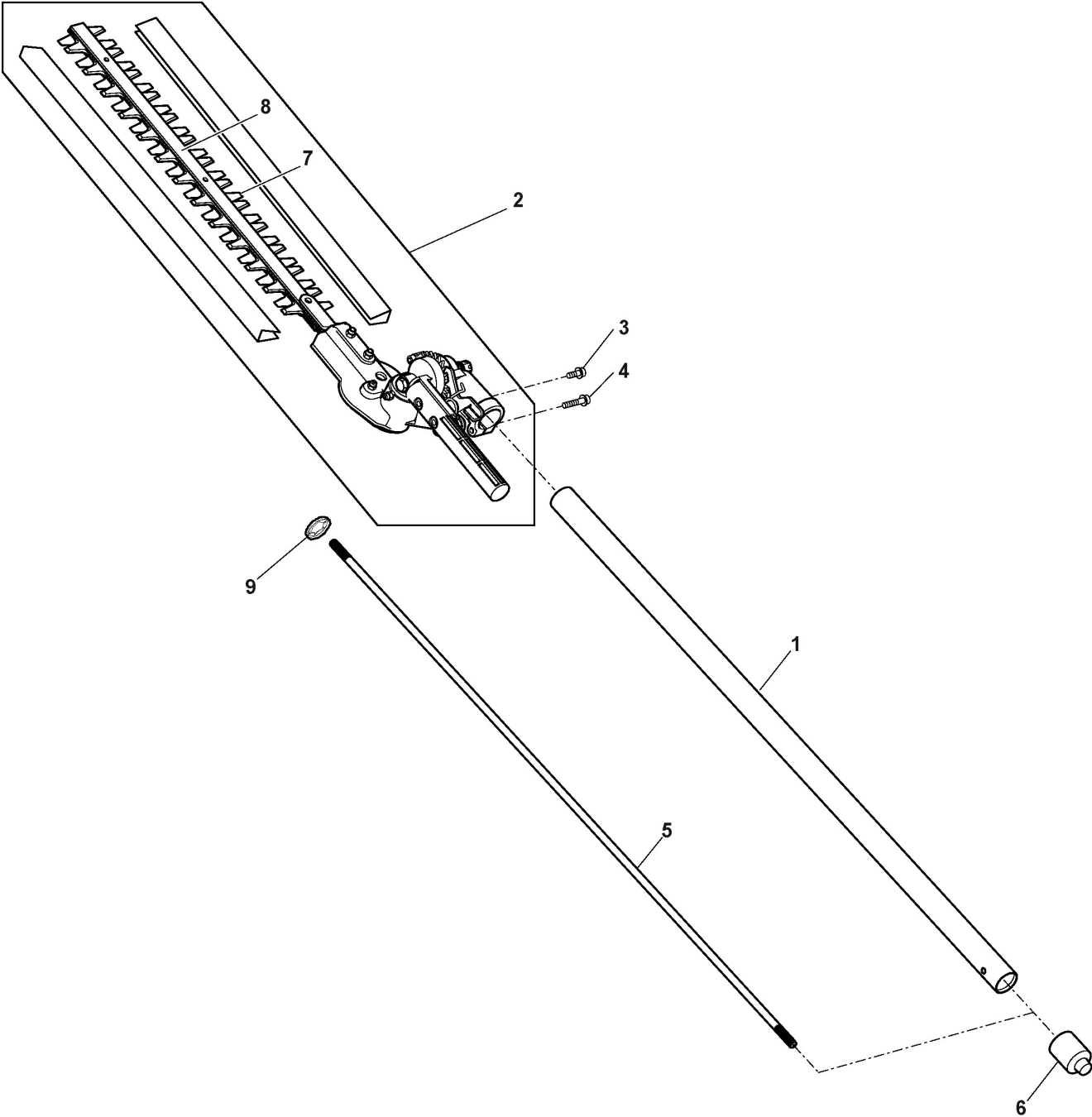
# Transmission

Ref.nr.	Antal	Komponentkode	Beskrivelse	Noter	From	Op til
56	1	112523080/0	Washer			



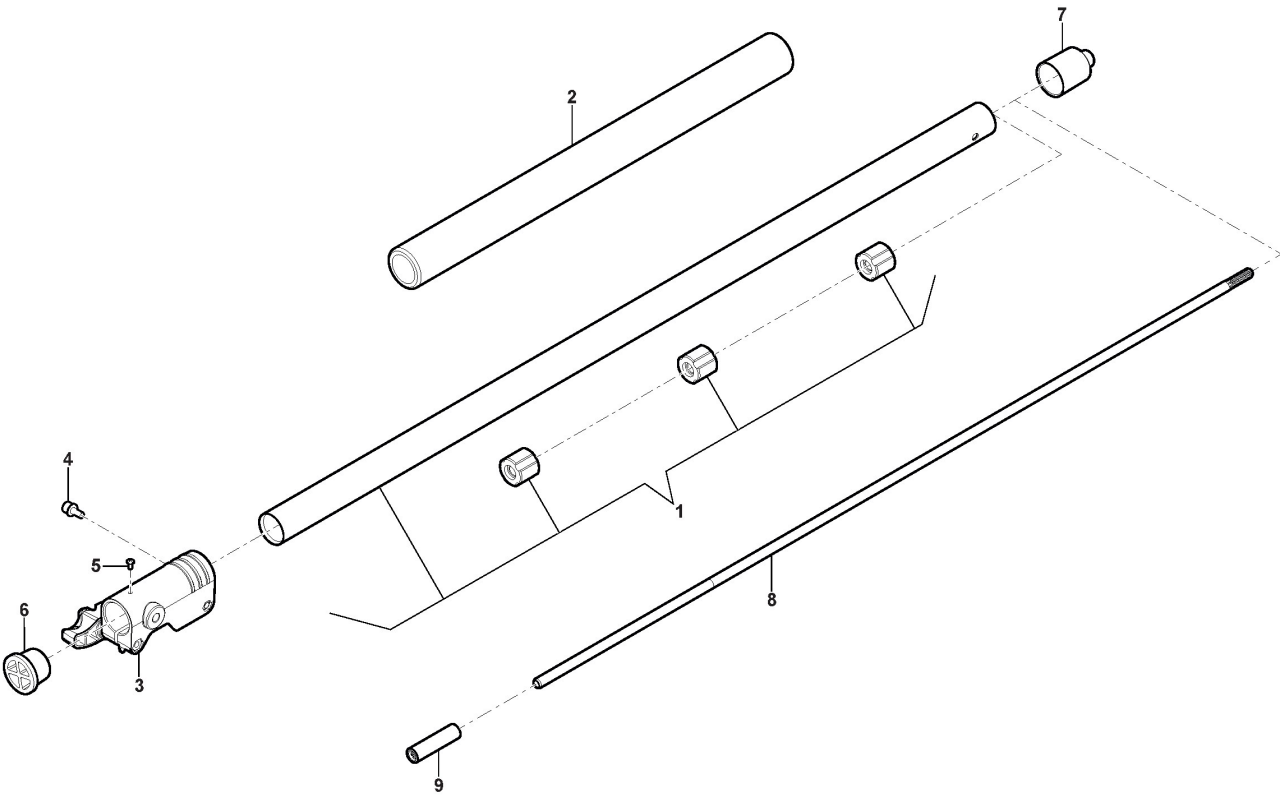
# Pole Pruner

Ref.nr.	Antal	Komponentkode	Beskrivelse	Noter	From	Op til
1	1	118802883/0	Assy Transm. Tube			To
1	1	118802887/0	Assy Transm. Tube		From	28-Februar
2	1	118802884/0	Cutting Head			y-2019
3	1	112789000/0	Screw			
4	1	112789020/0	Screw			
5	1	118803197/0	Transmission Shaft Ass.Y			
6	1	118802886/0	Shaft blocker			
7	1	118801758/0	Guide Bar 10"-3/8"-0,050"			
8	1	1519-1001-40	Chain 10"-3/8"-0,050"-40E			
9	1	118805067/0	Chain Cover			
10	1	118805292/0	Oil Cap Assy			
11	1	118805768/0	Chain Cover 10"			
12	1	112604899/0	Crown Fastener			



# Hedge Trimmer Attachment

Ref.nr.	Antal	Komponentkode	Beskrivelse	Noter	From	Op til
1	1	118802887/0	Assy Transm. Tube			
2	1	118802888/0	Cutting Head			
3	1	112789000/0	Screw			
4	1	112789020/0	Screw			
5	1	118803197/0	Transmission Shaft Ass.Y			
6	1	118802886/0	Shaft blocker			
7	1	118805733/0	Blade Assy			
8	1	118805734/0	Blade Protection Plate			
9	1	112604899/0	Crown Fastener			



# Extension Shaft

Ref.nr.	Antal	Komponentkode	Beskrivelse	Noter	From	Op til
1	1	118804893/0	Transmission Pipe Assy			
2	1	118804894/0	Sponge Jacket			
3	1	118802099/0	Connector Assy		From 01-March-2 019	To 00 F .
3	1	118804895/0	Shaft Connector Assy			
4	1	2135180	Screw			
5	1	118804896/0	Screw			
6	1	118804897/0	Shaft Block			
7	1	118802886/0	Shaft blocker			
8	1	118804898/0	Rigid Shaft			
9	1	118803142/0	Shaft Connector			